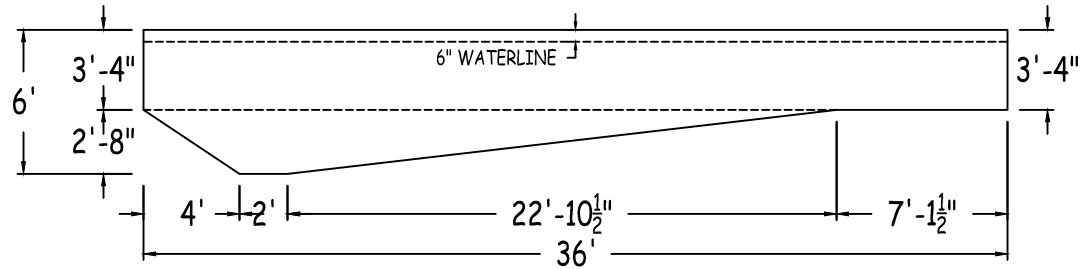
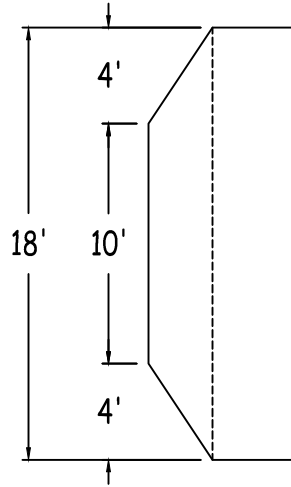
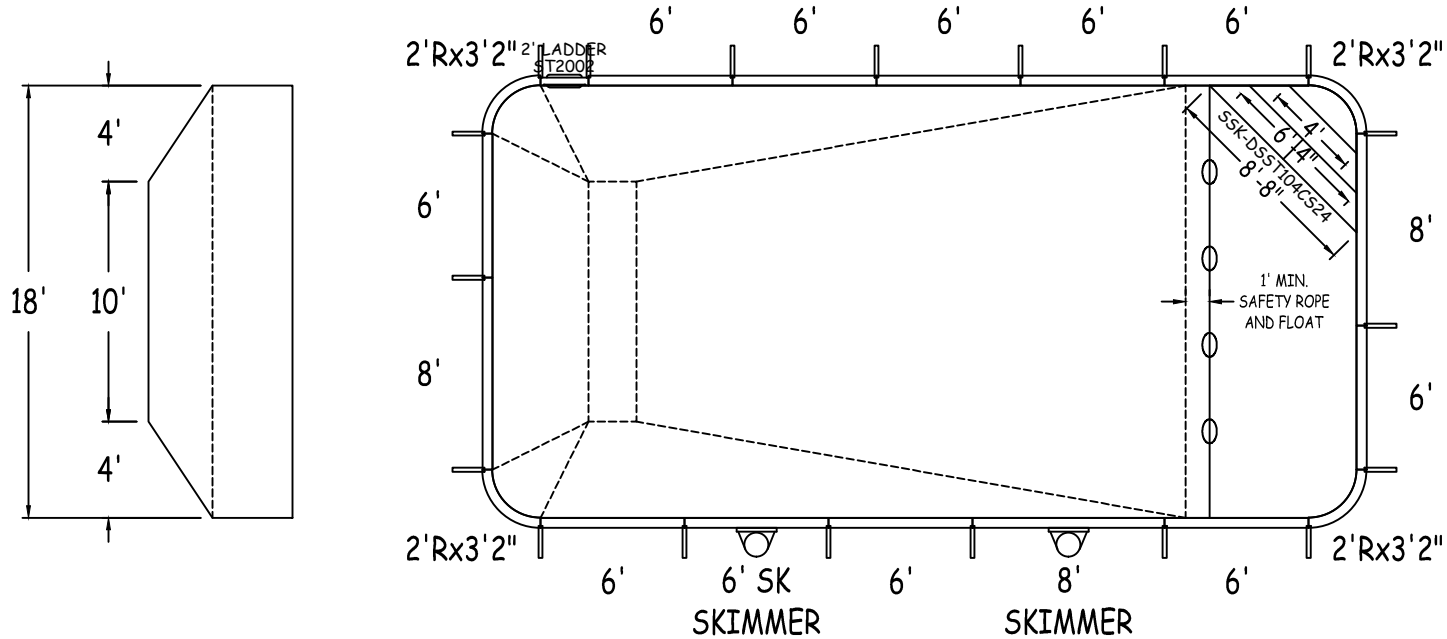


IN ACCORDANCE WITH ANSI/APSP/ICC-5 2011, THE INSTALLER IS RESPONSIBLE FOR PLACING ONE SKIMMER FOR EVERY 800 SQUARE FEET OF SURFACE AREA AND ONE RETURN FOR EVERY 300 SQUARE FEET OF SURFACE AREA.



<b>KAEKO</b> POOL PRODUCTS	<b>BAHAMA 2FT RAD 18-0 x 36-0</b>			
42" STEEL PANELS	PERIMETER: 104'-7"	VOLUME (US Gal): 17900		
DWG#: 2015-SPL-07546	SURFACE (ft²): 645	VOLUME (Liters): 67700		
KIT#: CUSTOMKIT	LINER (ft²): 648	DATE: 3/31/2015	DSR: 151	
	COVER (ft²): 760	SCALE: 1/8" = 1'-0"		

ALWAYS ENTER POOL

**Foot First**

**NON-DIVING POOL**

USE OF DIVING EQUIPMENT IS PROHIBITED

DOES NOT MEET DEPTH AND SHAPE MINIMUM STANDARD ANSI/APSP/ICC-5 2011

CUSTOMER: PENGUIN POOL

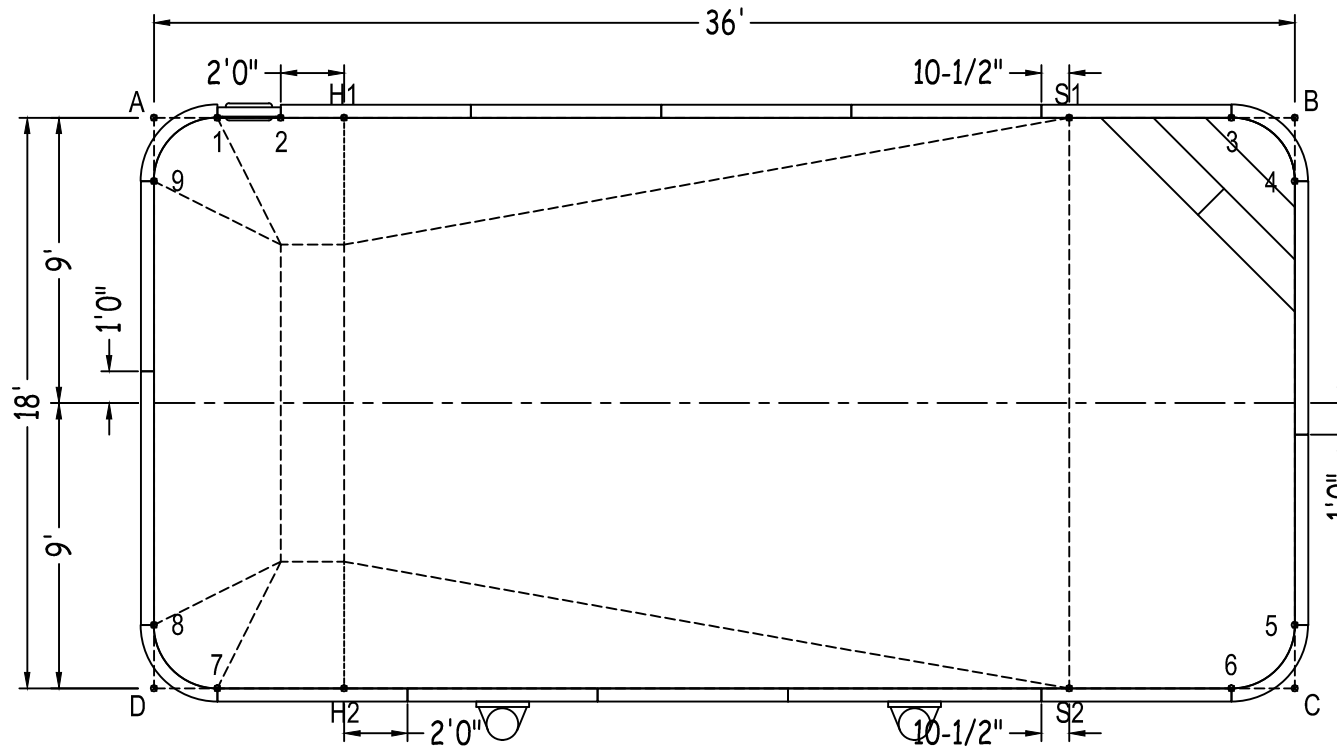
JOB NAME:

TIFF#:



Diagonals	2 to 6	34'-11 3/4"	5 to 9	38'-7 1/2"
S1toS2	2 to 7	18'-1 1/4"	6 to 7	32'-0"
H1toH2	2 to 8	16'-6"	6 to 8	34'- 3/4"
S1toH1	2 to 9	4'-5 3/4"	6 to 9	37'-7"
S2toH2	3 to 4	2'-10"	7 to 8	2'-10"
S1toH2	3 to 5	16'-1 1/2"	7 to 9	16'-1 1/2"
H1toS2	3 to 6	18'-0"	8 to 9	14'-0"
1 to 2	3 to 7	36'-8 1/2"		
1 to 3	3 to 8	37'-7"		
1 to 4	3 to 9	34'- 3/4"		
1 to 5	4 to 5	14'-0"		
1 to 6	4 to 6	16'-1 1/2"		
1 to 7	4 to 7	37'-7"		
1 to 8	4 to 8	38'-7 1/2"		
1 to 9	4 to 9	36'-0"		
2 to 3	5 to 6	2'-10"		
2 to 4	5 to 7	34'- 3/4"		
2 to 5	5 to 8	36'-0"		

		Base
Part number	Description	QTY
ST0960002X	8'	2
ST0960002*	8' SKIMMER	1
ST0720002*	6' SKIMMER	1
ST0720001X	6'	10
SSK-DSST104CS24	DROP IN STEP	1
CN0380241X	2'Rx3'2"	4
Brace	Brace	19
IPC-STKPK25	REBAR STAKE 18" 25PC	2
IPC-HDWSTR150	BOLT STR 3/8-16X1" C/W NUT 150PC	2
ST2002	THKSH T LADDER 2'	1



	A	B	C	D
1	2'-0"	34'-0"	38'-5 3/4"	18'-1 1/4"
2	4'-0"	32'-0"	36'-8 1/2"	18'-5 1/4"
3	34'-0"	2'-0"	18'-1 1/4"	38'-5 3/4"
4	36'- 3/4"	2'-0"	16'-0"	39'-4 3/4"
5	39'-4 3/4"	16'-0"	2'-0"	36'- 3/4"
6	38'-5 3/4"	18'-1 1/4"	2'-0"	34'-0"
7	18'-1 1/4"	38'-5 3/4"	34'-0"	2'-0"
8	16'-0"	39'-4 3/4"	36'- 3/4"	2'-0"
9	2'-0"	36'- 3/4"	39'-4 3/4"	16'-0"
S2	34'- 1/4"	19'-4 1/4"	7'-1 1/2"	28'-10 1/2"
S1	28'-10 1/2"	7'-1 1/2"	19'-4 1/4"	34'- 1/4"
H2	18'-11 3/4"	34'-11 3/4"	30'-0"	6'-0"
H1	6'-0"	30'-0"	34'-11 3/4"	18'-11 3/4"
A	-	36'-0"	40'-3"	18'-0"