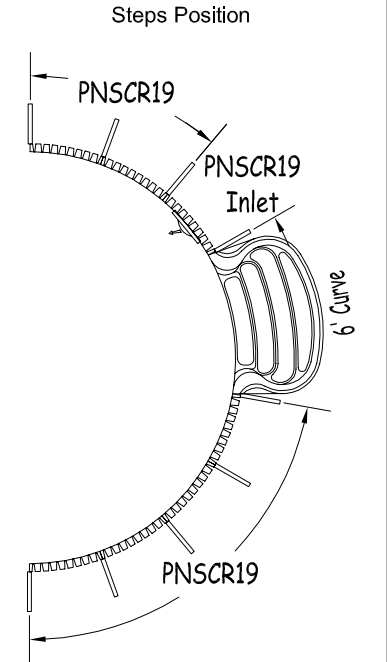
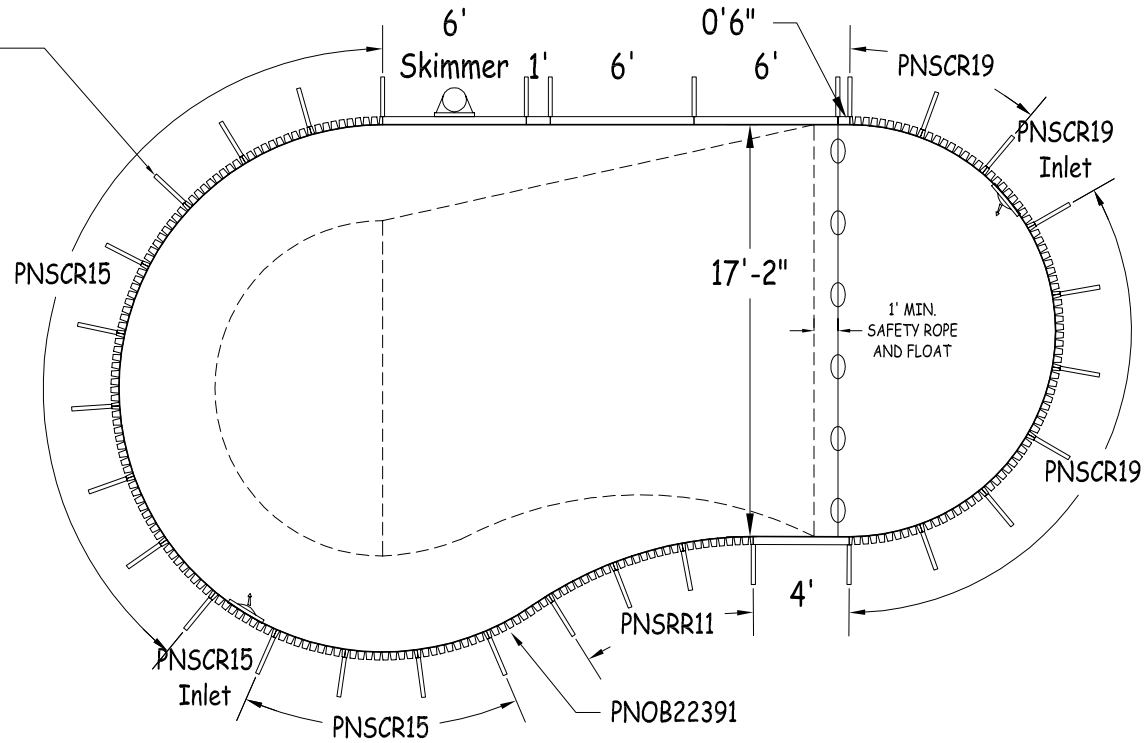
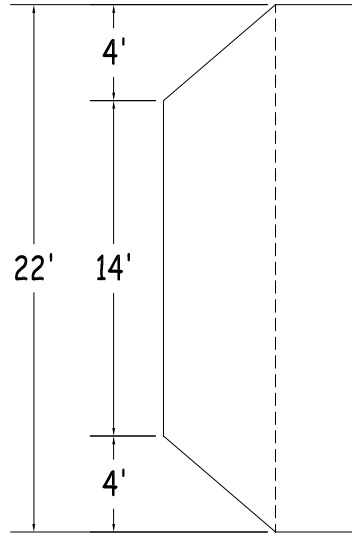
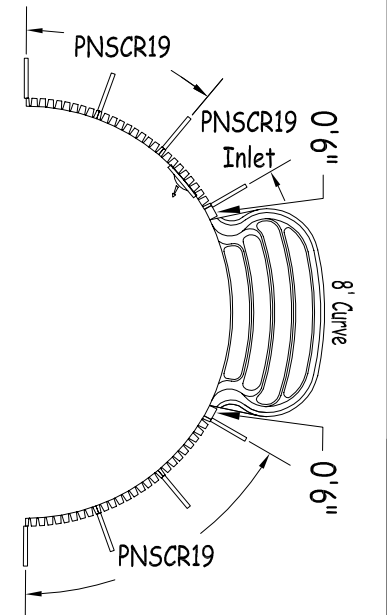


Add A-frame at panel joints as shown

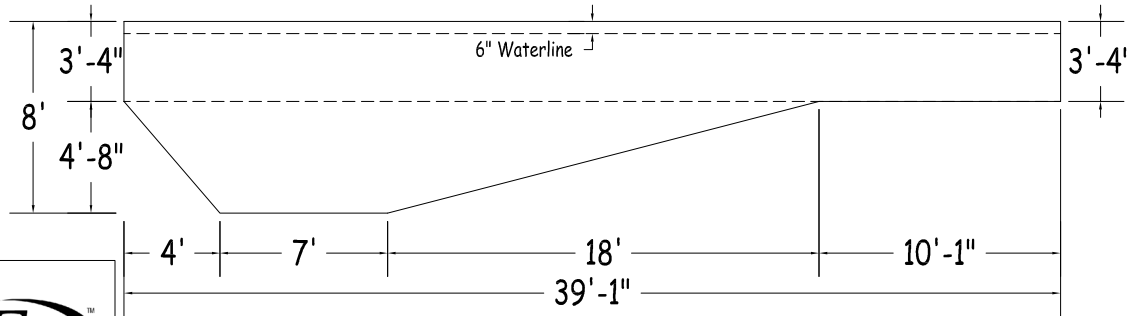
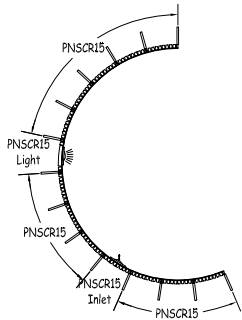


Step Option 1



Step Option 2

Light Option		
PN8010034	3' Multi-Flex	-1
PN8010254	3' Light	+1



CERT# ESR-2450

KP2-CB00S2239 - Multi-Flex 42

Idaho 22' x 39' Left

DWG #:
KP2CB00S223910L

VOLUME (US Gal): 25 000

VOLUME (Litres): 94 600

AREA (SqFt): 676

LINER AREA (SqFt): 860

SAFETY COVER (SqFt): 1052

PERIMETER: 101'-6"

DATE: 1/Jan/2010

SCALE: 1/8" = 1'-0"



Feet First

DIVING/SLIDING EQUIPMENT SHALL BE DESIGNED FOR SWIMMING POOLS AND SHALL BE INSTALLED IN ACCORDANCE WITH THE DIVING/SLIDING EQUIPMENT MANUFACTURER'S SPECIFICATIONS. PLEASE CONTACT THE DIVING/SLIDING EQUIPMENT MANUFACTURER FOR THEIR SPECIFICATIONS.

MEETS DEPTH AND SHAPE MINIMUM STANDARD ANSI/NSPI5-2003

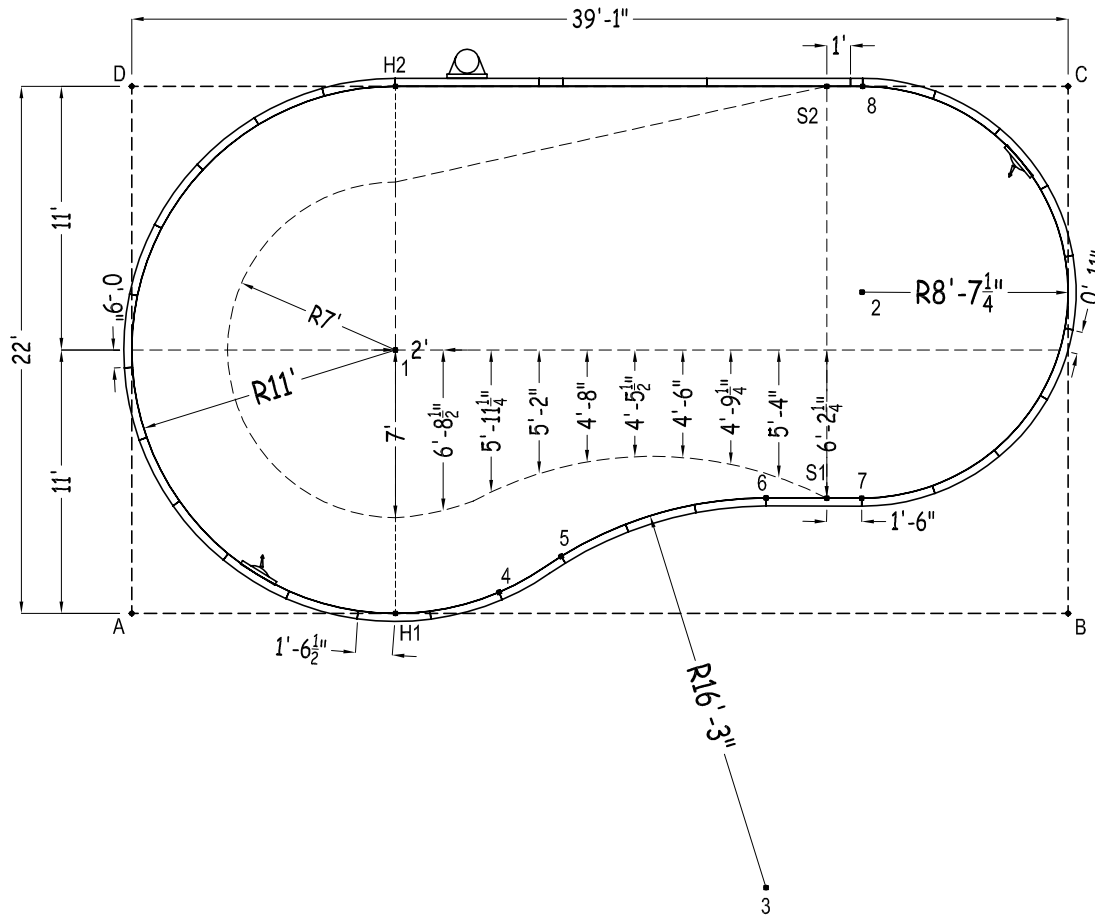
Idaho

Center To Center	
1 To 2	19'-7 1/2"
1 To 3	27'-3"
2 To 3	25'-2"
Diagonals	
S1 To S2	17'-2 1/4"
4 To H2	21'-6 1/2"
5 To H2	20'-9 1/2"
5 To 8	23'-3 1/2"
6 To H2	23'-1 1/2"
6 To 8	17'-7 3/4"
7 To 8	17'-2 1/4"

2010

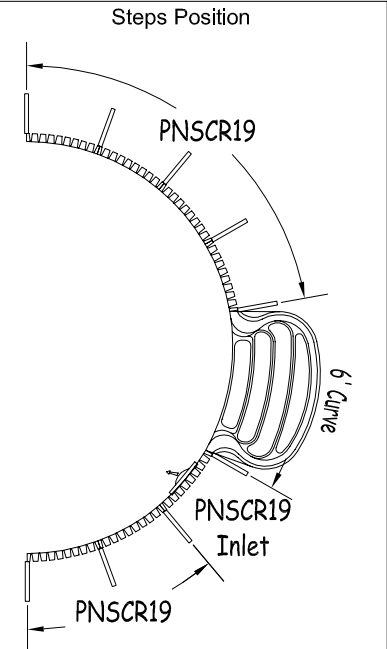
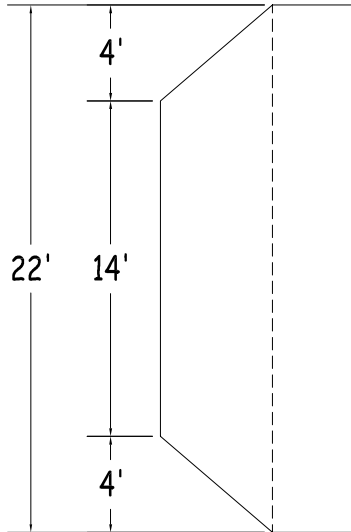
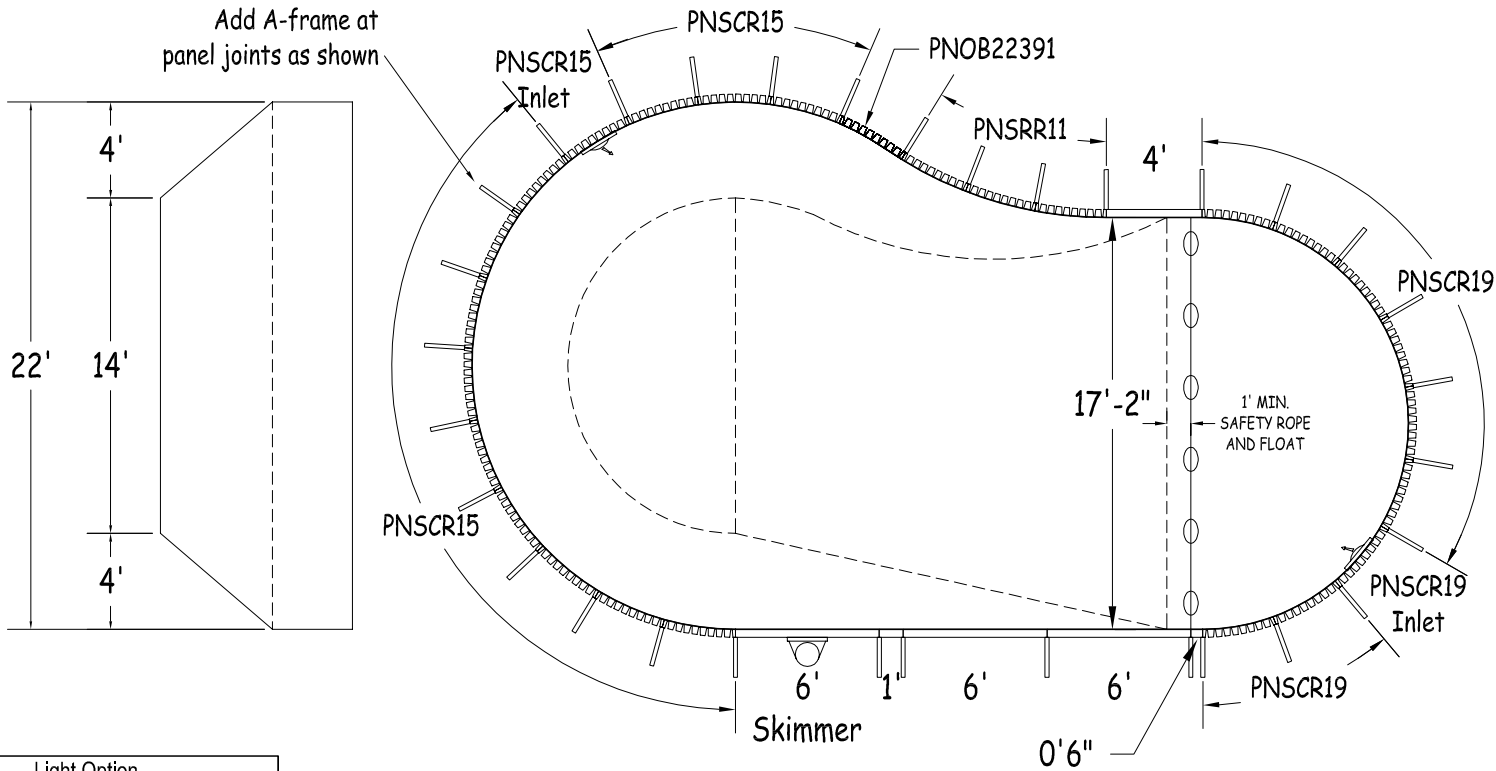
No Step
Option 1
Option 2

Part number	Description	Qty	Qty	Qty
PN8000601	6' Plain		2	2
PN8000401	4' Plain		1	1
PN8000101	1' Plain		1	1
PN8000061	0'-6" Plain		1	3
PN8000633	6' Skimmer		1	1
PN8010034	Multi-flex		26	24
PNSCR15	Strap 15		26	26
PNSCR19	Strap 19		18	14
PNSRR11	Rev. Strap 11		6	6
PNCB22391	AB strap #1		2	2
	6' Curve Step		-	1
	8' Curve Step		-	1
PN8031001	Resin Brace (Long Stake)		32	31

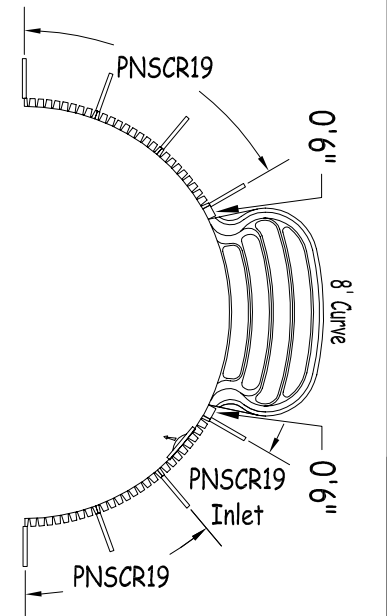


	A	B	C	D
1	15'-6 3/4"	30'-1 3/4"	30'-1 3/4"	15'-6 3/4"
2	33'-3 1/2"	15'-11"	12'-1 3/4"	31'-8"
3	28'-10"	17'-0 1/4"	35'-8 3/4"	42'-7 3/4"
4	15'-4 1/4"	23'-9 1/4"	31'-9 1/4"	26'-1"
5	18'-1"	21'-3 1/2"	28'-10 1/4"	26'-6 3/4"
6	26'-10 3/4"	13'-6"	21'-3 3/4"	31'-6 3/4"
7	30'-10"	9'-10 1/4"	19'-2 3/4"	34'-11 3/4"
8	37'-7 1/4"	23'-7 1/4"	8'-7"	30'-6"
H1	11"	28'-1"	35'-8"	24'-7 1/4"
H2	24'-7 1/4"	35'-8"	28'-1"	11"
S1	29'-4 3/4"	11'-2"	19'-11"	33'-8 1/2"
S2	36'-4 3/4"	24'-2 1/4"	10'-1"	29"
A	-	39'-1"	44'-10"	22'

Add A-frame at panel joints as shown

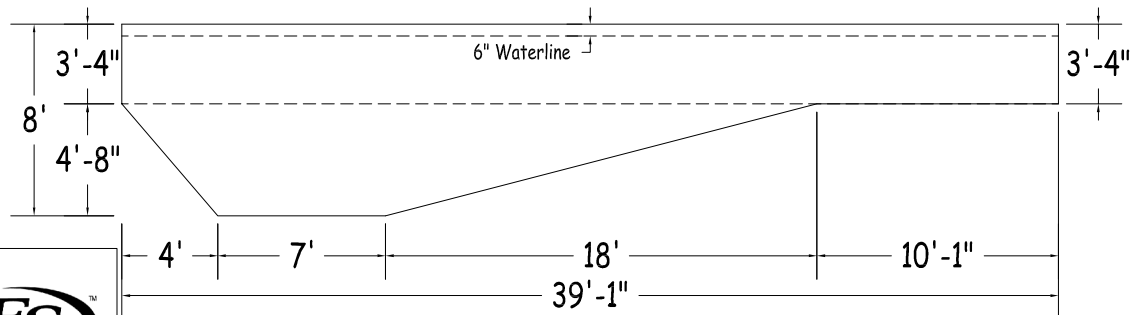
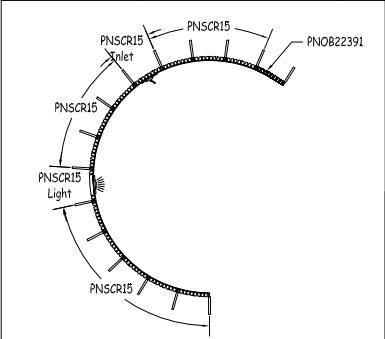


Step Option 1



Step Option 2

Light Option		
PN8010034	3' Multi-Flex	-1
PN8010254	3' Light	+1



CERT# ESR-2450

KP2-CB00S2239 - Multi-Flex 42

Idaho 22' x 39' Right

DWG #:
KP2CB00S223910R

VOLUME (US Gal): 25 000

VOLUME (Litres): 94 600

AREA (SqFt): 676

LINER AREA (SqFt): 860

SAFETY COVER (SqFt): 1052

PERIMETER: 101'-6"

DATE: 1/Jan/2010

SCALE: 1/8" = 1'-0"

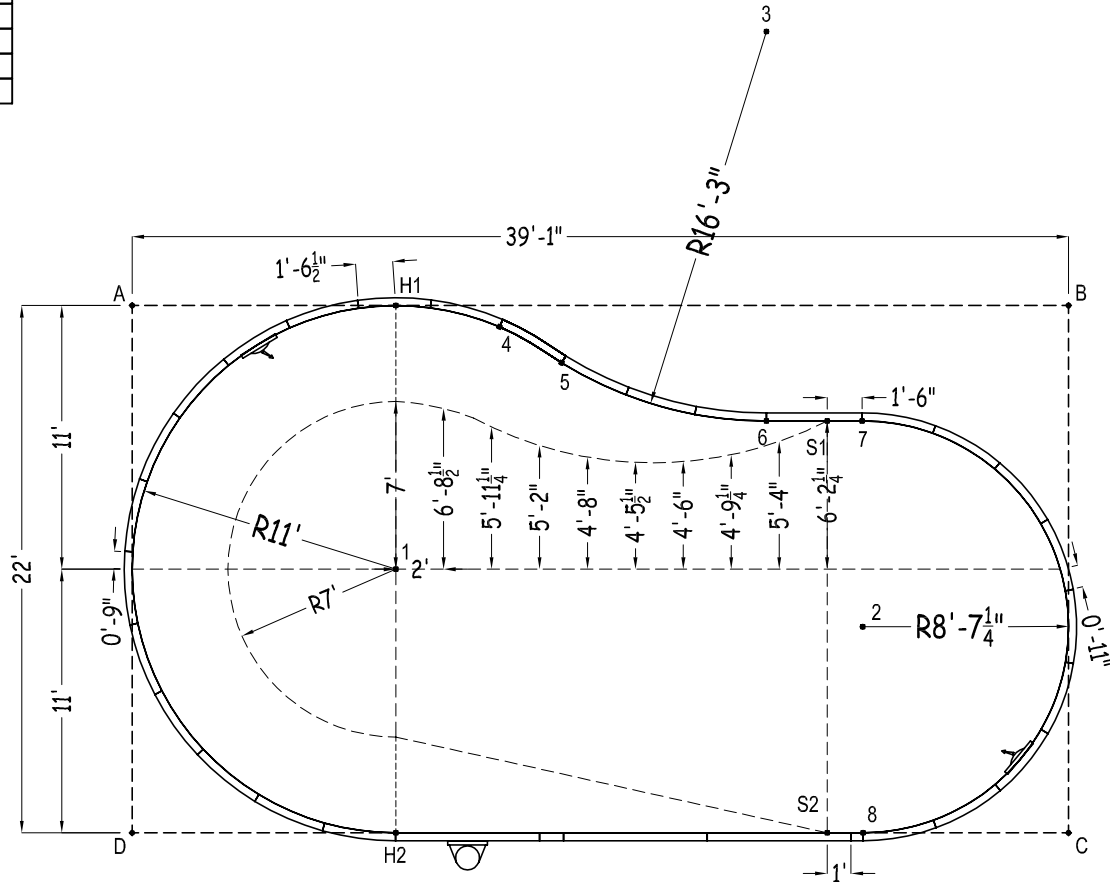


Feet First

DIVING/SLIDING EQUIPMENT SHALL BE DESIGNED FOR SWIMMING POOLS AND SHALL BE INSTALLED IN ACCORDANCE WITH THE DIVING/SLIDING EQUIPMENT MANUFACTURER'S SPECIFICATIONS. PLEASE CONTACT THE DIVING/SLIDING EQUIPMENT MANUFACTURER FOR THEIR SPECIFICATIONS.

MEETS DEPTH AND SHAPE MINIMUM STANDARD ANSI/NSPI5-2003

Center To Center	
1 To 2	19'-7 1/2"
1 To 3	27'-3"
2 To 3	25'-2"
Diagonals	
S1 To S2	17'-2 1/4"
4 To H2	21'-6 1/2"
5 To H2	20'-9 1/2"
5 To 8	23'-3 1/2"
6 To H2	23'-1 1/2"
6 To 8	17'-7 3/4"
7 To 8	17'-2 1/4"



2010

No Step
Option 1
Option 2

Part number	Description	Qty	Qty	Qty
PN8000601	6' Plain	2	2	2
PN8000401	4' Plain	1	1	1
PN8000101	1' Plain	1	1	1
PN8000061	0'-6" Plain	1	1	3
PN8000633	6' Skimmer	1	1	1
PN8010034	Multi-flex	26	24	23
PNSCR15	Strap 15	26	26	26
PNSCR19	Strap 19	18	14	12
PNSRR11	Rev. Strap 11	6	6	6
PNCB22391	AB strap #1	2	2	2
	6' Curve Step	-	1	-
	8' Curve Step	-	-	1
PN8031001	Resin Brace (Long Stake)	32	31	30

	A	B	C	D
1	15'-6 3/4"	30'-1 3/4"	30'-1 3/4"	15'-6 3/4"
2	33'-3 1/2"	15'-11"	12'-1 3/4"	31'-8"
3	28'-10"	17'-0 1/4"	35'-8 3/4"	42'-7 3/4"
4	15'-4 1/4"	23'-9 1/4"	31'-9 1/4"	26'-1"
5	18'-1"	21'-3 1/2"	28'-10 1/4"	26'-6 3/4"
6	26'-10 3/4"	13'-6"	21'-3 3/4"	31'-6 3/4"
7	30'-10"	9'-10 1/4"	19'-2 3/4"	34'-11 3/4"
8	37'-7 1/4"	23'-7 1/4"	8'-7"	30'-6"
H1	11"	28'-1"	35'-8"	24'-7 1/4"
H2	24'-7 1/4"	35'-8"	28'-1"	11"
S1	29'-4 3/4"	11'-2"	19'-11"	33'-8 1/2"
S2	36'-4 3/4"	24'-2 1/4"	10'-1"	29'
A	-	39'-1"	44'-10"	22'