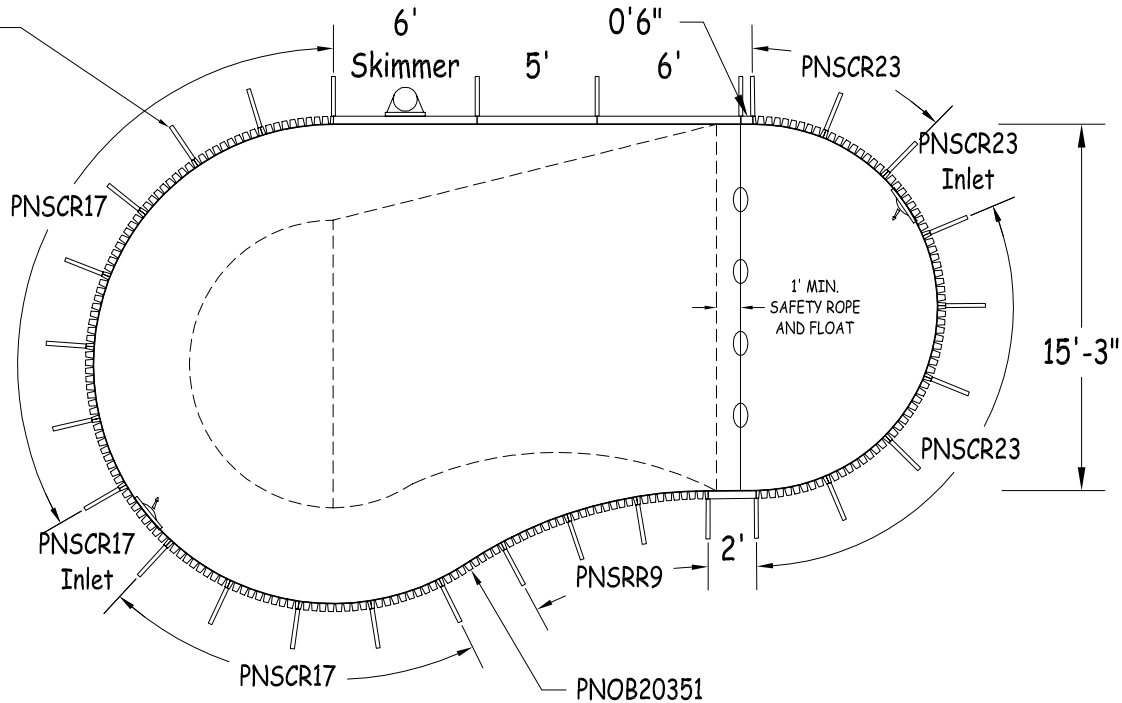
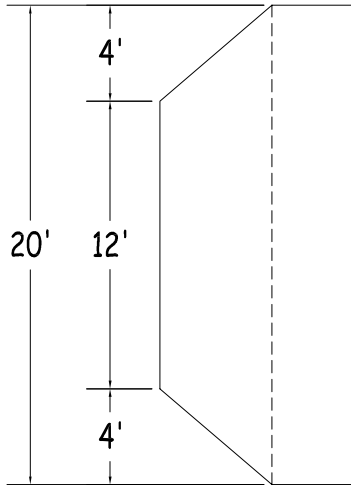
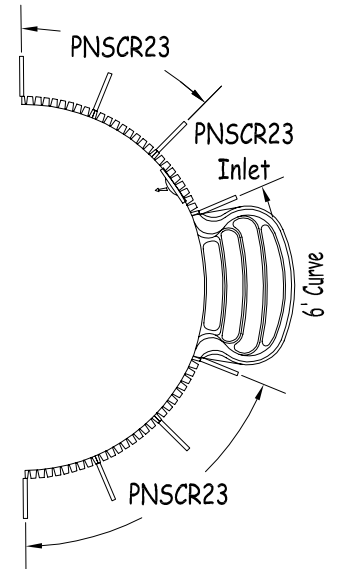


Add A-frame at panel joints as shown

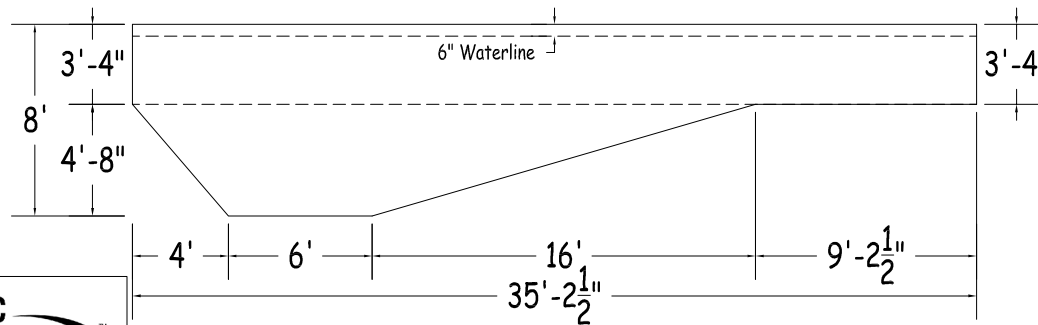


Steps Position



Step Option 1

Light Option		
PN8010034	3' Multi-Flex	-1
PN8010254	3' Light	+1



CERT# ESR-2450

KP2-CB00S2035 - Multi-Flex 42



Idaho 20' x 35' Left

DWG #:
KP2CB00S203510L

VOLUME (US Gal): 20 200

VOLUME (Litres): 76 600

AREA (SqFt): 551

LINER AREA (SqFt): 704

SAFETY COVER (SqFt): 879

PERIMETER: 91'-6"

DATE: 1/Jan/2010

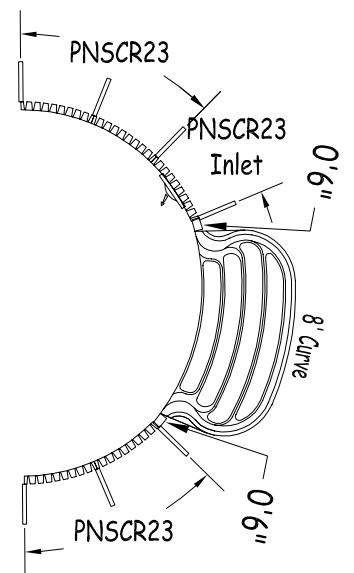
SCALE: 1/8" = 1'-0"



Feet First

DIVING/SLIDING EQUIPMENT SHALL BE DESIGNED FOR SWIMMING POOLS AND SHALL BE INSTALLED IN ACCORDANCE WITH THE DIVING/SLIDING EQUIPMENT MANUFACTURER'S SPECIFICATIONS. PLEASE CONTACT THE DIVING/SLIDING EQUIPMENT MANUFACTURER FOR THEIR SPECIFICATIONS.

MEETS DEPTH AND SHAPE MINIMUM STANDARD ANSI/NSPI5-2003



Step Option 2

SHEET: 1 OF 2

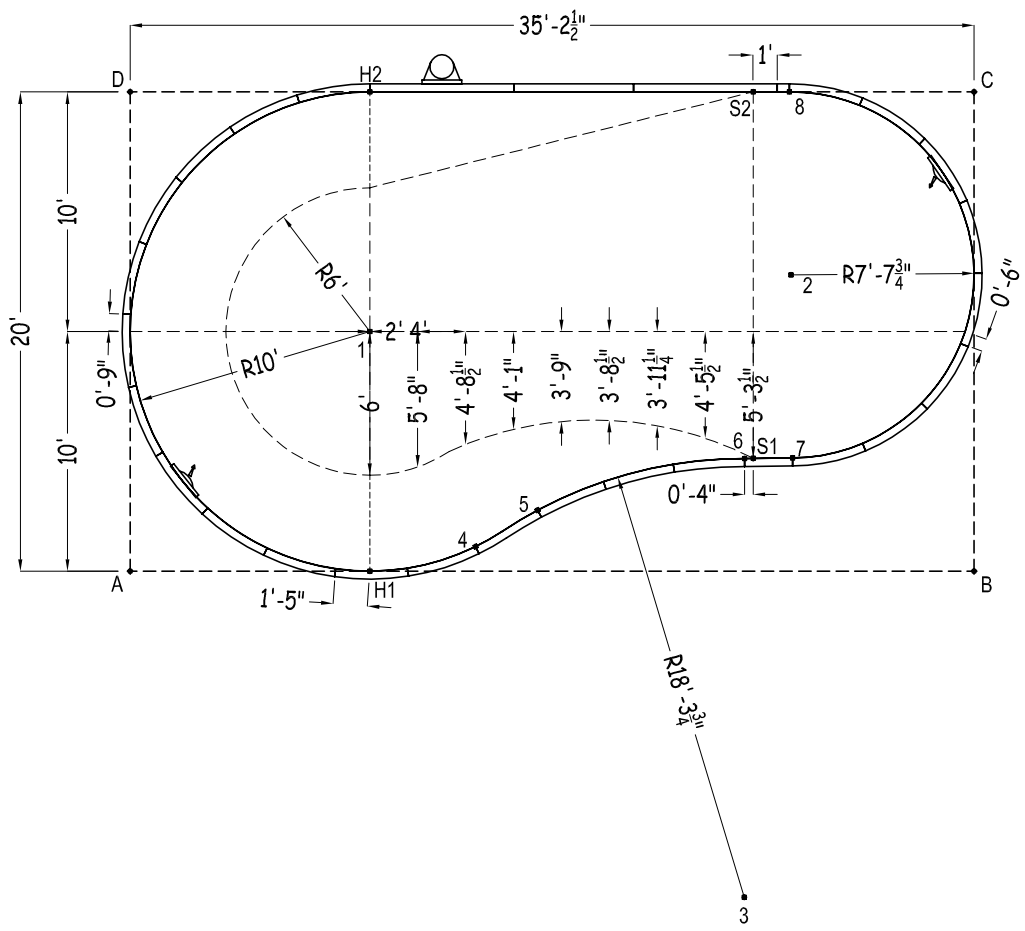
Idaho

Center To Center	
1 To 2	17'-8 3/4"
1 To 3	28'-3 3/4"
Diagonals	
S1 To S2	15'-3 1/2"
4 To H2	19'-5 3/4"
5 To H2	18'-9 3/4"
5 To 8	20'-4 1/2"
6 To H2	21'-10 1/2"
6 To 8	15'-5"
7 To 8	15'-3 1/4"

2010

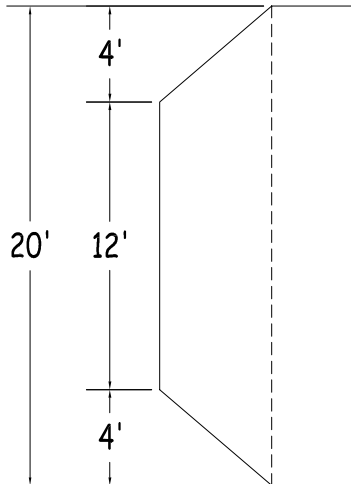
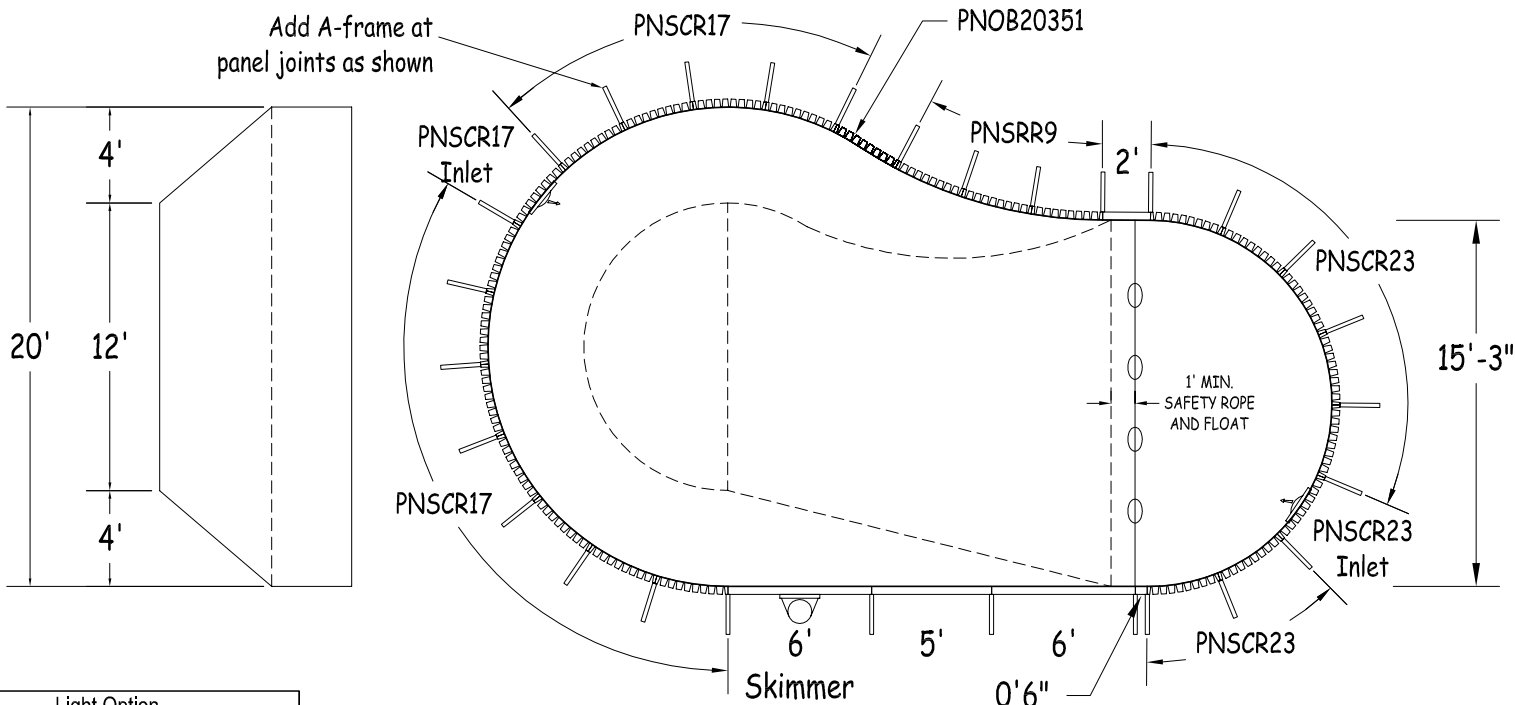
No Step
Option 1
Option 2

Part number	Description	Qty	Qty	Qty
PN8000601	6' Plain	1	1	1
PN8000501	5' Plain	1	1	1
PN8000201	2' Plain	1	1	1
PN8000061	0'-6" Plain	1	1	3
PN8000633	6' Skimmer	1	1	1
PN8010034	Multi-flex	24	22	21
PNSCR17	Strap 17	24	24	24
PNSCR23	Strap 23	16	12	10
PNSRR9	Rev. Strap 9	6	6	6
PNCB20351	AB strap #1	2	2	2
	6' Curve Step	-	1	-
	8' Curve Step	-	-	1
PN8031001	Resin Brace (Long Stake)	29	28	27

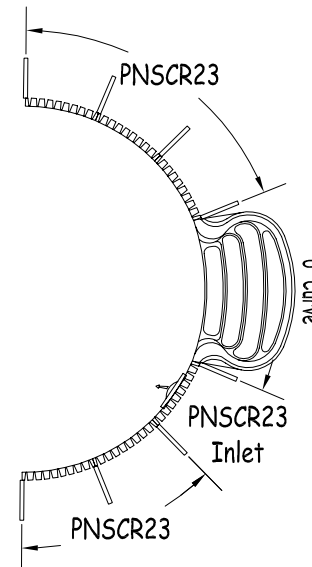


	A	B	C	D
1	14'-1 3/4"	27'-1 1/2"	27'-1 1/2"	14'-1 3/4"
2	30'-2 3/4"	14'-6 1/4"	10'-9 3/4"	28'-7 1/2"
3	29'-0 1/4"	16'-7 3/4"	34'-11 1/4"	42'-3"
4	14'-5 1/2"	20'-10"	28'-1 3/4"	23'-10"
5	17'-2 1/4"	18'-4 3/4"	25'-2 3/4"	24'-4 1/2"
6	26'-1"	10'-8"	18'-0 1/2"	29'-10 1/4"
7	28'-0 1/2"	8'-11"	17'-0 1/2"	31'-7"
8	34'-0 1/4"	21'-5 1/4"	7'-8 1/2"	27'-6 1/4"
H1	10'	25'-2 1/2"	32'-2 1/4"	22'-4 1/4"
H2	22'-4 1/2"	32'-2 1/4"	25'-2 1/2"	10'-0 1/4"
S1	26'-5"	10'-4 1/4"	17'-10 1/4"	30'-2"
S2	32'-9 3/4"	22'-0 1/4"	9'-2 1/2"	26'
A	-	35'-2 1/2"	40'-6"	20'

Add A-frame at panel joints as shown

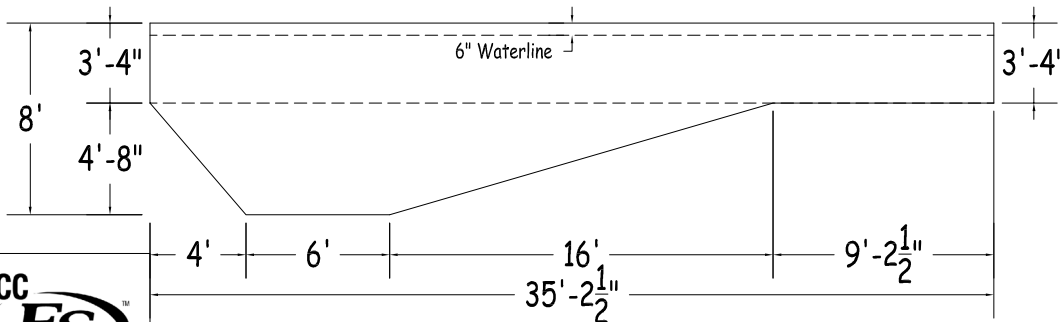
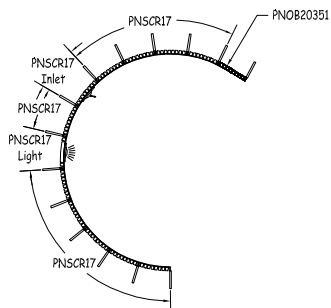


Steps Position



Step Option 1

Light Option		
PN8010034	3' Multi-Flex	-1
PN8010254	3' Light	+1



CERT# ESR-2450

KP2-CB00S2035 - Multi-Flex 42

Idaho 20' x 35' Right

DWG #:
KP2CB00S203510R

VOLUME (US Gal): 20 200

VOLUME (Litres): 76 600

AREA (SqFt): 551

LINER AREA (SqFt): 704

SAFETY COVER (SqFt): 879

PERIMETER: 91'-6"

DATE: 1/Jan/2010

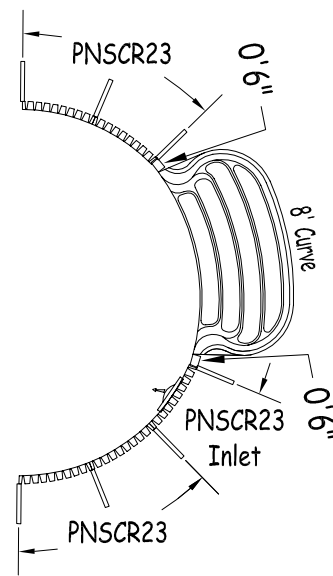
SCALE: 1/8" = 1'-0"



Feet First

DIVING/SLIDING EQUIPMENT SHALL BE DESIGNED FOR SWIMMING POOLS AND SHALL BE INSTALLED IN ACCORDANCE WITH THE DIVING/SLIDING EQUIPMENT MANUFACTURER'S SPECIFICATIONS. PLEASE CONTACT THE DIVING/SLIDING EQUIPMENT MANUFACTURER FOR THEIR SPECIFICATIONS.

MEETS DEPTH AND SHAPE MINIMUM STANDARD ANSI/NSPI5-2003

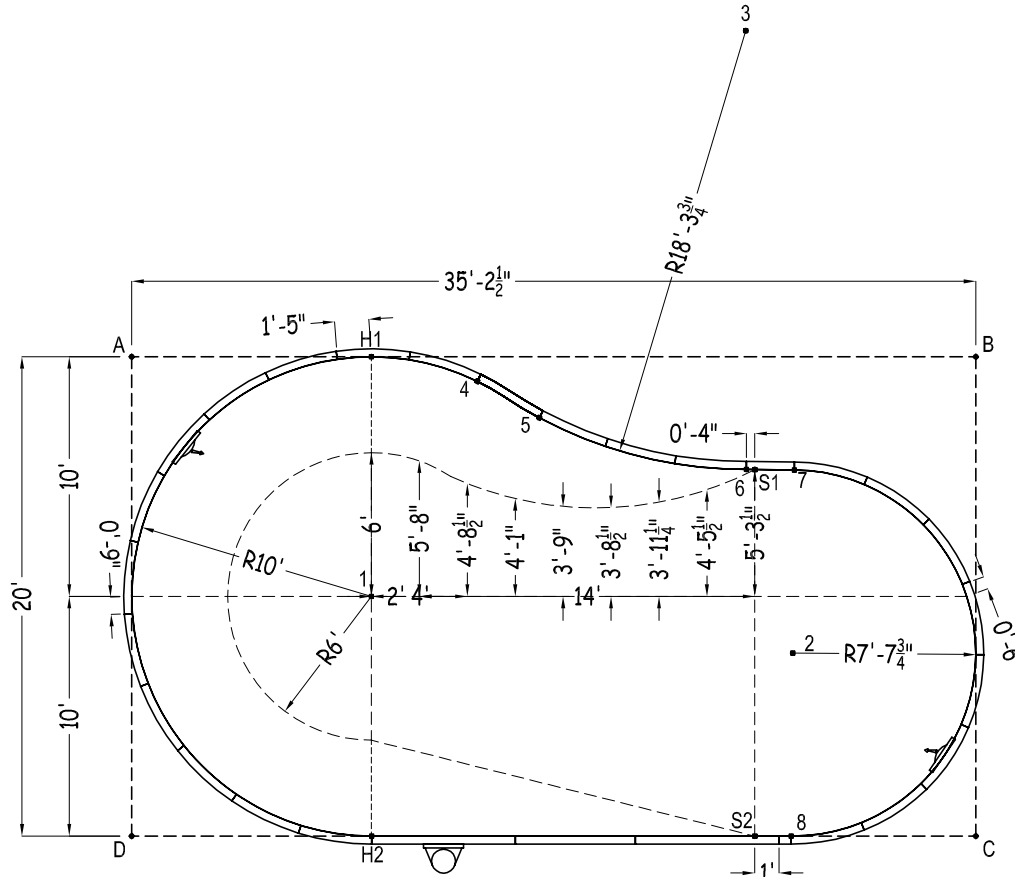


Step Option 2

SHEET: 1 OF 2

Idaho

Center To Center	
1 To 2	17'-8 3/4"
1 To 3	28'-3 3/4"
2 To 3	26'-0 1/2"
Diagonals	
S1 To S2	15'-3 1/2"
4 To H2	19'-5 3/4"
5 To H2	18'-9 3/4"
5 To 8	20'-4 1/2"
6 To H2	21'-10 1/2"
6 To 8	15'-5"
7 To 8	15'-3 1/4"



2010

No Step
Option 1
Option 2

Part number	Description	Qty	Qty	Qty
PN8000601	6' Plain	1	1	1
PN8000501	5' Plain	1	1	1
PN8000201	2' Plain	1	1	1
PN8000061	0'-6" Plain	1	1	3
PN8000633	6' Skimmer	1	1	1
PN8010034	Multi-flex	24	22	21
PNSCR17	Strap 17	24	24	24
PNSCR23	Strap 23	16	12	10
PNSRR9	Rev. Strap 9	6	6	6
PNCB20351	AB strap #1	2	2	2
	6' Curve Step	-	1	-
	8' Curve Step	-	-	1
PN8031001	Resin Brace (Long Stake)	29	28	27

	A	B	C	D
1	14'-1 3/4"	27'-1 1/2"	27'-1 1/2"	14'-1 3/4"
2	30'-2 3/4"	14'-6 1/4"	10'-9 3/4"	28'-7 1/2"
3	29'-0 1/4"	16'-7 3/4"	34'-11 1/4"	42'-3"
4	14'-5 1/2"	20'-10"	28'-1 3/4"	23'-10"
5	17'-2 1/4"	18'-4 3/4"	25'-2 3/4"	24'-4 1/2"
6	26'-1"	10'-8"	18'-0 1/2"	29'-10 1/4"
7	28'-0 1/2"	8'-11"	17'-0 1/2"	31'-7"
8	34'-0 1/4"	21'-5 1/4"	7'-8 1/2"	27'-6 1/4"
H1	10'	25'-2 1/2"	32'-2 1/4"	22'-4 1/4"
H2	22'-4 1/2"	32'-2 1/4"	25'-2 1/2"	10'-0 1/4"
S1	26'-5"	10'-4 1/4"	17'-10 1/4"	30'-2"
S2	32'-9 3/4"	22'-0 1/4"	9'-2 1/2"	26'
A	-	35'-2 1/2"	40'-6"	20'