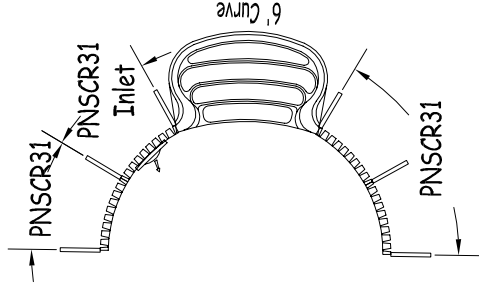
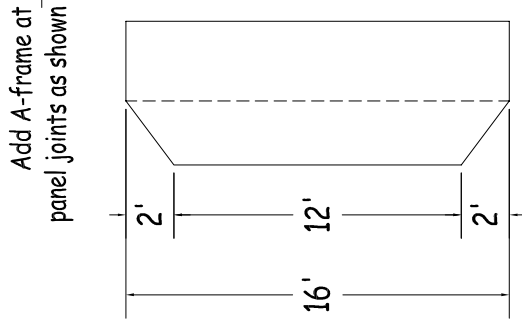
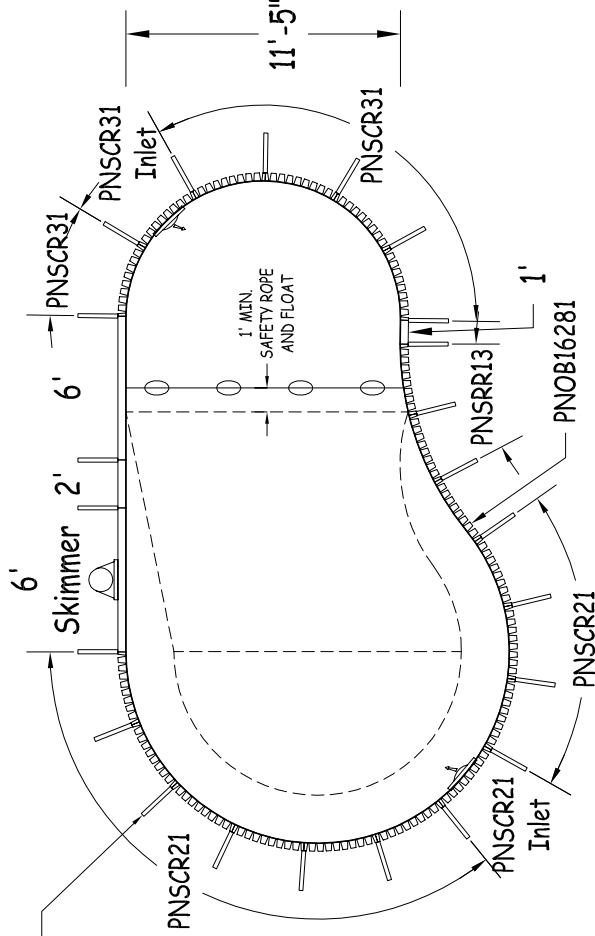


Steps Position

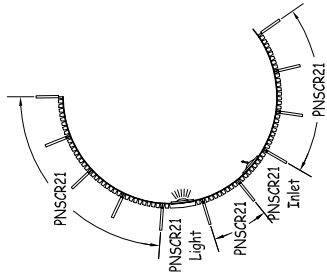


Step Option

NA



Light Option	
80-1003-4	3' Multi-Flex
80-1025-4	3' Light



KP2-CB00S1628 - Multi-Flex 42

## Idaho 16' x 28' Left

DWG #:	KP2CB00S1628L10
VOLUME (US Gal):	10 100
VOLUME (Litres):	38 300
AREA (SqFt):	338
LINER AREA (SqFt):	442
SAFETY COVER (SqFt):	582
PERIMETER:	72'
DATE:	1/Jan/2010
SCALE:	1/8" = 1'-0"

**NON-DIVING POOL**

USE OF DIVING EQUIPMENT IS PROHIBITED

MEETS DEPTH AND SHAPE MINIMUM STANDARD ANSI/NSPI5-2003



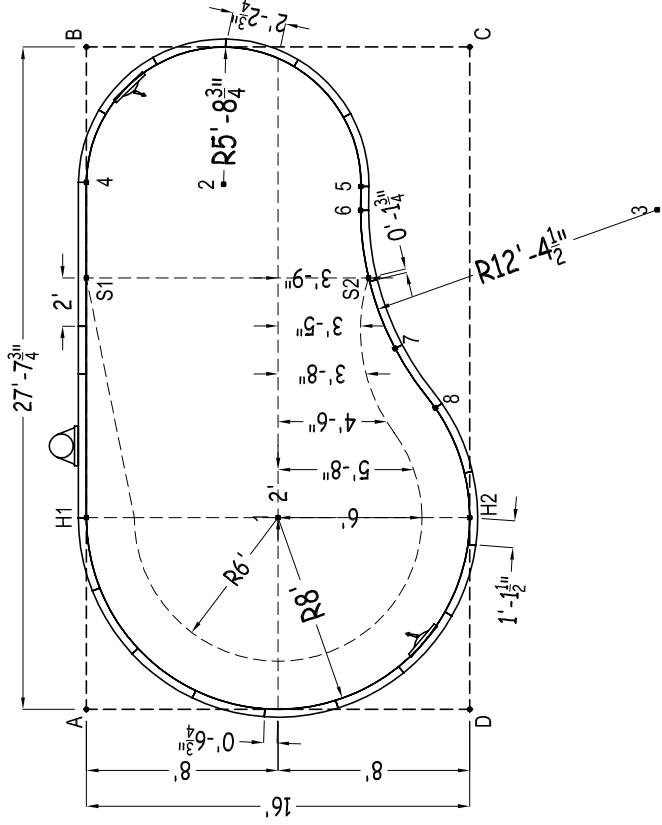
**Idaho**

Center To Center
1 To 2 14'-1"
1 To 3 20'-4 1/2"
2 To 3 18'-1 1/2"
Diagonals
H1 To 5 17'-11 1/2"
H1 To 6 17'-2 1/4"
H1 To 7 14'-8 1/4"
H1 To 8 15'-3 1/4"
4 To 5 11'-5 1/2"
4 To 6 11'-6"
4 To 7 14'-7 1/2"
4 To 8 17'-4"

# 2010

Option 1  
No Step

Part number	Description	Qty	Qty
PN8000601	6' Plain	1	1
PN8000201	2' Plain	1	1
PN8000101	1' Plain	1	1
PN8000633	6' Skimmer	1	1
PN8010034	Multi-flex	19	17
PNSCR21	Strap 21	20	20
PNSCR31	Strap 31	12	8
PNSRR13	Rev. Strap 13	4	4
PNCB16281	AB strap #1	2	2
	6' Curve Step	-	1
PN8031001	Resin Brace (Long Stake)	23	22



	A	B	C	D
1	11'-3 3/4"	21'-2 1/2"	21'-2 1/2"	11'-3 3/4"
2	22'-7 3/4"	8'-1 1/4"	11'-9 1/4"	24'-2 1/4"
3	31'-7 3/4"	24'-9 1/4"	10'-4 1/4"	22'-3"
4	22'	5'-7 3/4"	16'-11 1/2"	27'-2 1/4"
5	24'-7 3/4"	12'-10 1/4"	7'-4 1/2"	22'-3 1/2"
6	23'-9 1/4"	13'-3 3/4"	8'-2 1/4"	21'-3 3/4"
7	19'-9 3/4"	18'	12'-11 1/2"	15'-4 1/2"
8	19'-3"	20'-11 1/4"	15'-1 1/2"	12'-8"
H1	8'	19'-7 3/4"	25'-4"	17'-10 3/4"
H2	17'-10 3/4"	25'-4"	19'-7 3/4"	8'
S1	18'	9'-7 3/4"	18'-8 1/4"	24'-1"
S2	21'-6"	15'-2 1/2"	10'-6 1/4"	18'-5 3/4"
A	-	27'-7 3/4"	31'-11 1/4"	16'