

		KP2-CT24S1838 - Multi-Flex 42	
<h2>Modesto 18' x 38'</h2>			
DWG #:	AREA (SqFt):	PERIMETER:	786
KP2CT24S1838-10	788	125'-7"	
VOLUME (US Gal):	LINER AREA (SqFt):	DATE:	1/Jan/2010
25 100	788		
VOLUME (Litres):	SAFETY COVER (SqFt):	SCALE:	N/A
95 100	963		

DIVING/SLIDING EQUIPMENT SHALL BE DESIGNED FOR SWIMMING POOLS AND SHALL BE INSTALLED IN ACCORDANCE WITH THE DIVING/SLIDING EQUIPMENT MANUFACTURER'S SPECIFICATIONS. PLEASE CONTACT THE DIVING/SLIDING EQUIPMENT MANUFACTURER FOR THEIR SPECIFICATIONS.

MEETS DEPTH AND SHAPE MINIMUM STANDARD ANSI/NSPI5-2003

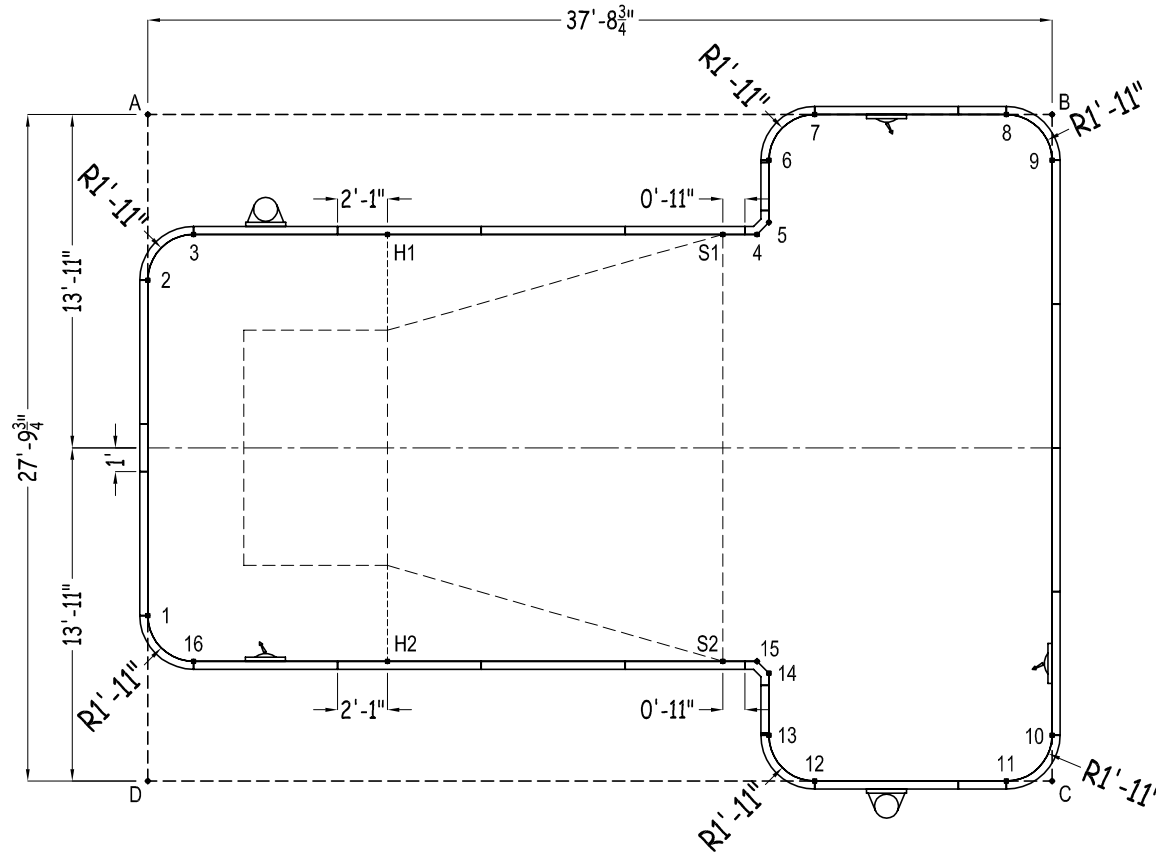
Modesto

Diagonals	6 To 10	26'-9"	
1 To 3	16'-0 1/4"	7 To 9	10'-1"
2 To 16	16'-0 1/4"	7 To 12	27'-9 3/4"
3 To 11	40'-10 1/2"	8 To 11	27'-9 3/4"
3 To 15	29'-6"	8 To 16	40'-10 1/2"
3 To 16	17'-9 3/4"	9 To 13	26'-9"
4 To 10	24'-3"	9 To 14	24'-5 1/4"
4 To 14	18'-3 3/4"	9 To 15	24'-3"
4 To 15	17'-9 3/4"	10 To 12	10'-1"
4 To 16	29'-6"	10 To 13	11'-9 3/4"
5 To 9	12'-1"	10 To 14	12'-1"
5 To 10	24'-5 1/4"	11 To 13	10'-1"
5 To 15	18'-3 3/4"		
6 To 8	10'-1"		
6 To 9	11'-9 3/4"		

2010

No Step
Option 1
Option 2

Part number	Description	Qty	Qty	Qty
PN8000601	6' Plain	12	10	10
PN8000501	5' Plain	2	2	2
PN8000301	3' Plain	-	2	-
PN8000201	2' Plain	5	5	7
PN8030001	0'-1" Spacer	2	2	2
PN8000633	6' Skimmer	2	2	2
PN8010034	Multi-flex	6	6	6
PNSCR88	Strap 88	12	12	12
	6' Straight Step	-	1	-
	8' Straight Step	-	-	1
PN8002004	1' X 1' 90° Rev. Angle	2	2	2
PN8031001	Resin Brace (Long Stake)	27	28	28



	A	B	C	D
1	20'-10 3/4"	43'-1 1/2"	38'-4 1/4"	6'-11"
2	6'-11"	38'-4 1/4"	43'-1 1/2"	20'-10 3/4"
3	5'-4 1/4"	36'-2"	42'-5 1/2"	22'-10 3/4"
4	25'-10 3/4"	13'-3 1/2"	25'-11"	34'-1 3/4"
5	26'-3 3/4"	12'-7 3/4"	26'-1 1/2"	34'-10 1/4"
6	25'-11 3/4"	11'-11 1/2"	28'-5 3/4"	36'-7 3/4"
7	27'-10"	9'-10 3/4"	29'-6 1/4"	39'-4"
8	35'-9 3/4"	1'-11"	27'-10 1/2"	45'-4 1/4"
9	37'-9 1/4"	1'-11"	25'-10 3/4"	45'-9 1/4"
10	45'-9 1/4"	25'-10 3/4"	1'-11"	37'-9 1/4"
11	45'-4 1/4"	27'-10 1/2"	1'-11"	35'-9 3/4"
12	39'-4"	29'-6 1/4"	9'-10 3/4"	27'-10"
13	36'-7 3/4"	28'-5 3/4"	11'-11 1/2"	25'-11 3/4"
14	34'-10 1/4"	26'-1 1/2"	12'-7 3/4"	26'-3 3/4"
15	34'-1 3/4"	25'-11"	13'-3 1/2"	25'-10 3/4"
16	22'-10 3/4"	42'-5 1/2"	36'-2"	5'-4 1/4"
H1	11'-2 1/4"	28'-2"	35'-11"	24'-11"
H2	24'-11"	35'-11"	28'-2"	11'-2 1/4"
S1	24'-6 1/4"	14'-7 1/4"	26'-7 1/2"	33'-1 1/4"
S2	33'-1 1/4"	26'-7 1/2"	14'-7 1/4"	24'-6 1/4"
A	-	37'-8 3/4"	46'-10 1/2"	27'-9 3/4"