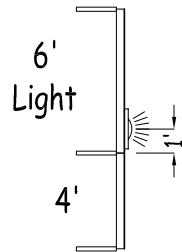


Light Option



KP2-CT24S1428 - Multi-Flex 42



Modesto 14' x 28'

DWG #:
KP2CT24S1428-10

AREA (SqFt):	477	PERIMETER:	97'-7"
VOLUME (US Gal):	12 900	DATE:	1/Jan/2010
VOLUME (Litres):	48 700	SAFETY COVER (SqFt):	632
		SCALE:	1/8" = 1'-0"



**NON-DIVING
POOL**

USE OF DIVING EQUIPMENT
IS PROHIBITED

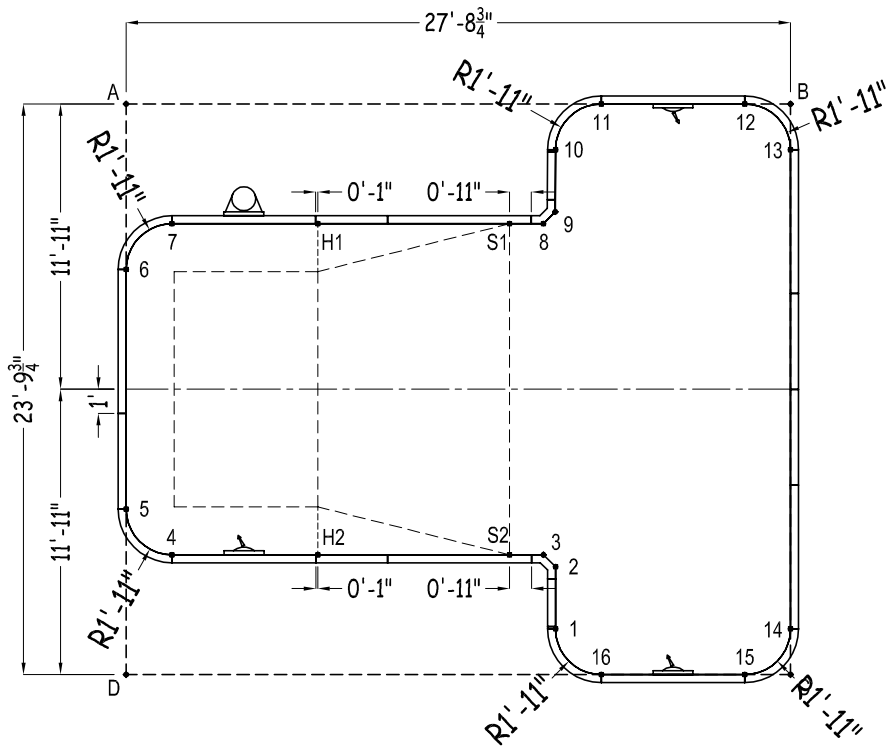
MEETS DEPTH AND SHAPE MINIMUM STANDARD ANSI/NSPI5-2003

Modesto

Step Option 2

SHEET: 1 OF 2

Diagonals	5 To 7	12'-0 3/4"
1 To 13	22'-3 1/4"	8 To 14
1 To 14	9'-9 3/4"	8 To 16
1 To 15	8'-1 1/2"	9 To 13
2 To 8	14'-3 3/4"	9 To 14
2 To 13	19'-11 3/4"	10 To 12
2 To 14	10'-1 3/4"	10 To 13
3 To 7	20'-9 1/4"	10 To 14
3 To 8	13'-9 3/4"	11 To 13
3 To 9	14'-3 3/4"	11 To 15
3 To 11	18'-11 1/2"	11 To 16
3 To 13	19'-9 1/2"	12 To 15
4 To 6	12'-0 3/4"	12 To 16
4 To 7	13'-9 3/4"	14 To 16
4 To 8	20'-9 1/4"	8'-1 1/2"



2010

No Step
Option 1
Option 2

Part number	Description	Qty	Qty	Qty
PN8000601	6' Plain	8	8	8
PN8000401	4' Plain	3	1	1
PN8000301	3' Plain	2	2	2
PN8000201	2' Plain	2	2	2
PN8000101	1' Plain	-	2	-
PN8030001	0'-1" Spacer	2	2	2
PN8000633	6' Skimmer	1	1	1
PN8010034	Multi-flex	6	6	6
PNSCR88	Strap 88	12	12	12
	6' Straight Step	-	1	-
	8' Straight Step	-	-	1
PN8002004	1' X 1' 90° Rev. Angle	2	2	2
PN8031001	Resin Brace (Long Stake)	22	23	21

	A	B	C	D
1	28'-3 1/2"	24'	10'	18'-0 1/4"
2	26'-4"	21'-8"	10'-9 1/2"	18'-5 3/4"
3	25'-7 3/4"	21'-5 1/2"	11'-5 1/2"	18'-1 1/2"
4	18'-11"	31'-11 1/4"	26'-3 1/2"	5'-4 1/4"
5	16'-10 3/4"	32'-5 3/4"	28'-7"	6'-11"
6	6'-11"	28'-7"	32'-5 3/4"	16'-10 3/4"
7	5'-4 1/4"	26'-3 1/2"	31'-11 1/4"	18'-11"
8	18'-1 1/4"	11'-5 1/2"	21'-5 1/2"	25'-7 1/2"
9	18'-5 1/2"	10'-9 1/2"	21'-8"	26'-4"
10	18'-0 1/4"	10'	24'	28'-3 1/2"
11	19'-10"	7'-10 3/4"	25'-1"	30'-11 3/4"
12	25'-9 3/4"	1'-11"	23'-10 3/4"	35'-1 1/2"
13	27'-9 1/2"	1'-11"	21'-10 3/4"	35'-4"
14	35'-4"	21'-10 3/4"	1'-11"	27'-9 1/2"
15	35'-1 1/2"	23'-10 3/4"	1'-11"	25'-9 3/4"
16	30'-11 3/4"	25'-1"	7'-10 3/4"	19'-10"
H1	9'-5 1/4"	20'-4 1/4"	27'-3 1/4"	20'-5 1/4"
H2	20'-5 1/4"	27'-3 1/4"	20'-4 1/4"	9'-5 1/4"
S1	16'-9 1/4"	12'-9"	22'-2"	24'-8 1/4"
S2	24'-8 1/4"	22'-2"	12'-9"	16'-9 1/4"
A	-	27'-8 3/4"	36'-6 1/2"	23'-9 3/4"