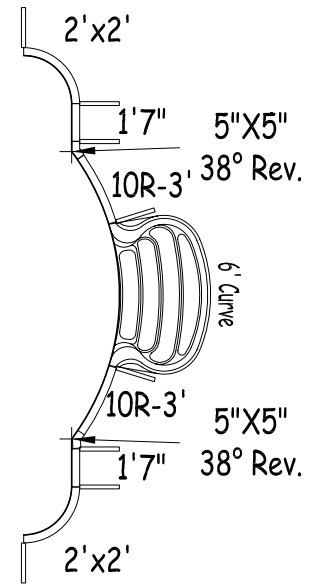
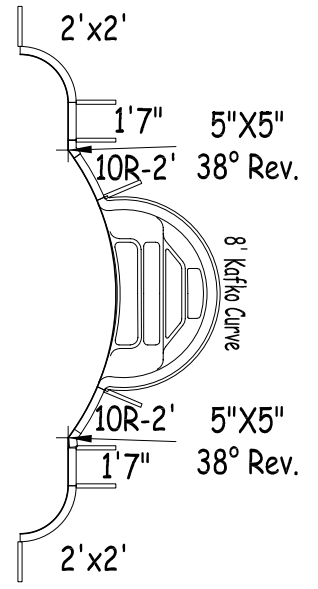


Steps Position



6' Step Option



8' Step Option



DWG #: KARMS42-2040-8'H\_07  
 VOLUME (US Gal): 27 200  
 VOLUME (Litres): 102 800

Steel	
<b>Roman 20' x 40'</b>	
AREA (SqFt):	749
PERIMETER:	110'-4"
LINER AREA (SqFt):	800
DATE:	1/01/2007
SAFETY COVER (SqFt):	924
SCALE:	1/8" = 1'

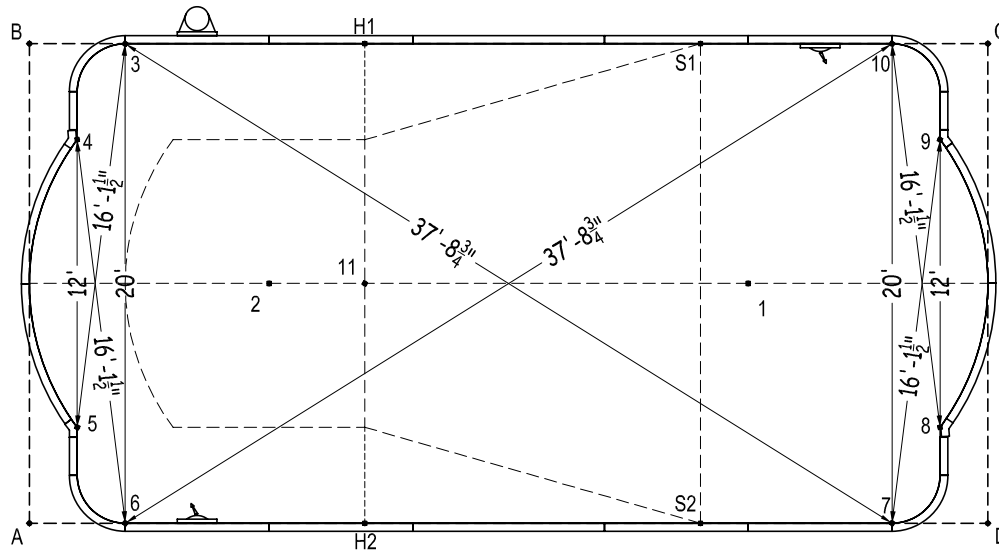
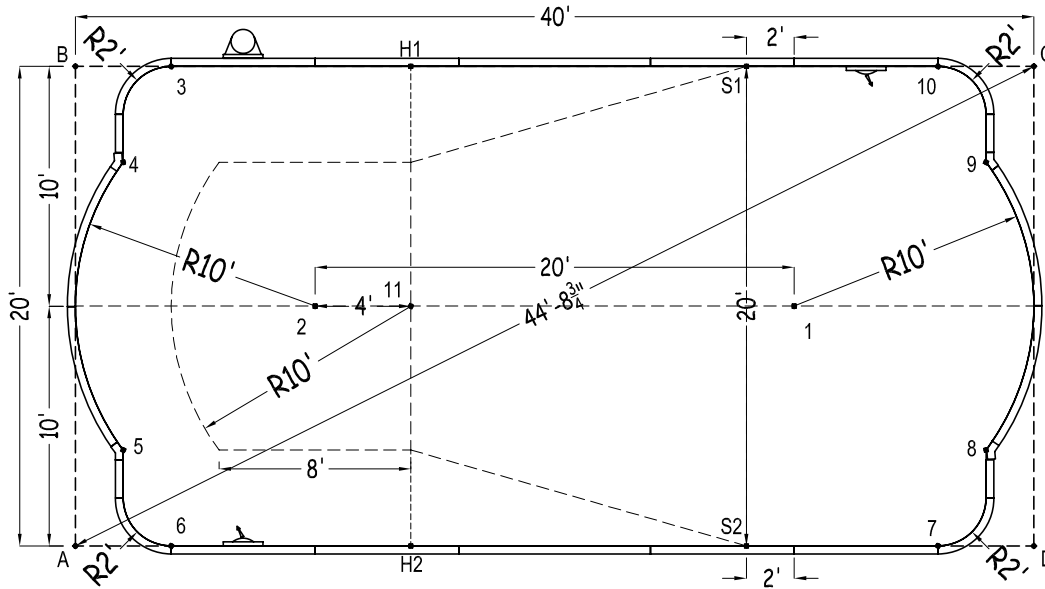


DIVING/SLIDING EQUIPMENT SHALL BE DESIGNED FOR SWIMMING POOLS AND SHALL BE INSTALLED IN ACCORDANCE WITH THE DIVING/SLIDING EQUIPMENT MANUFACTURER'S SPECIFICATIONS. PLEASE CONTACT THE DIVING/SLIDING EQUIPMENT MANUFACTURER FOR THEIR SPECIFICATIONS.

MEETS DEPTH AND SHAPE MINIMUM STANDARD ANSI/NSPI5-2003

# 2007

No Step  
6' Step  
8' Step



Part number	Description	Qty	Qty	Qty
02-SP08	8' Plain	2	2	2
02-SP06	6' Plain	5	5	5
02-SS06	6' Skimmer	1	1	1
02-SI06	6' Inlet	2	2	2
02-SP01P	1"7" Plain	3	3	3
02-CP06A-10	10R-6'	4	2	2
02-CP03A-10	10R-3'	-	2	-
02-CP02A-10	10R-2'	-	-	2
02-CB	2'x2'	4	4	4
	6' Curve Step	-	1	-
	8' Kafko Curve Step	-	-	1
02-AL00W	5"X5" 38° Rev. Angle	4	4	4
A-Frame	A-Frame Multiplier	22	23	23
15-0632-9	Optional Deck Supports	52	49	49

	A	B	C	D
1	31'-7 1/2"	31'-7 1/2"	14'-1 3/4"	14'-1 3/4"
2	14'-1 3/4"	14'-1 3/4"	31'-7 1/2"	31'-7 1/2"
3	20'-4 3/4"	4'	36"	41'-2 1/4"
4	16'-1 1/2"	4'-5 3/4"	38'-2 1/2"	41'-2 3/4"
5	4'-5 3/4"	16'-1 1/2"	41'-2 3/4"	38'-2 1/2"
6	4'	20'-4 3/4"	41'-2 1/4"	36"
7	36"	41'-2 1/4"	20'-4 3/4"	4'
8	38'-2 1/2"	41'-2 3/4"	16'-1 1/2"	4'-5 3/4"
9	41'-2 3/4"	38'-2 1/2"	4'-5 3/4"	16'-1 1/2"
10	41'-2 1/4"	36"	4'	20'-4 3/4"
11	17'-2 1/2"	17'-2 1/2"	27'-10 1/4"	27'-10 1/4"
H1	24'-5"	14"	26"	32'-9 3/4"
H2	14"	24'-5"	32'-9 3/4"	26"
S1	34'-5"	28"	12"	23'-4"
S2	28"	34'-5"	23'-4"	12"
A	-	20'	44'-8 3/4"	40'