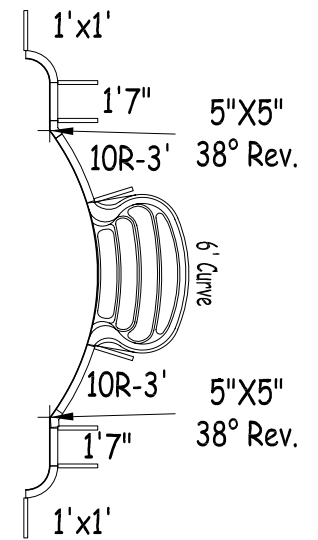
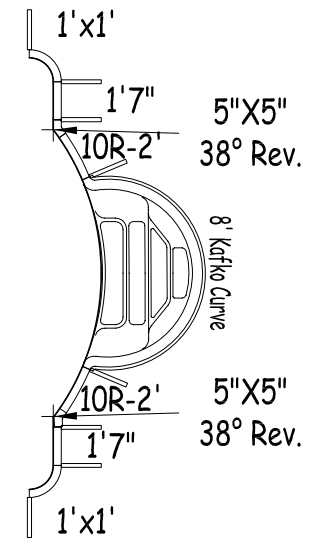


Steps Position



6' Step Option



8' Step Option

SHEET: 1 OF 2



DWG #: KARMS42-1836-8'H_07

VOLUME (US Gal): 21 000

VOLUME (Litres): 79 400

Steel
Roman 18' x 36'

AREA (SqFt): 608

LINER AREA (SqFt): 648

SAFETY COVER (SqFt): 760

PERIMETER: 100'

DATE: 1/01/2007

SCALE: 1/8" = 1'



Feet First

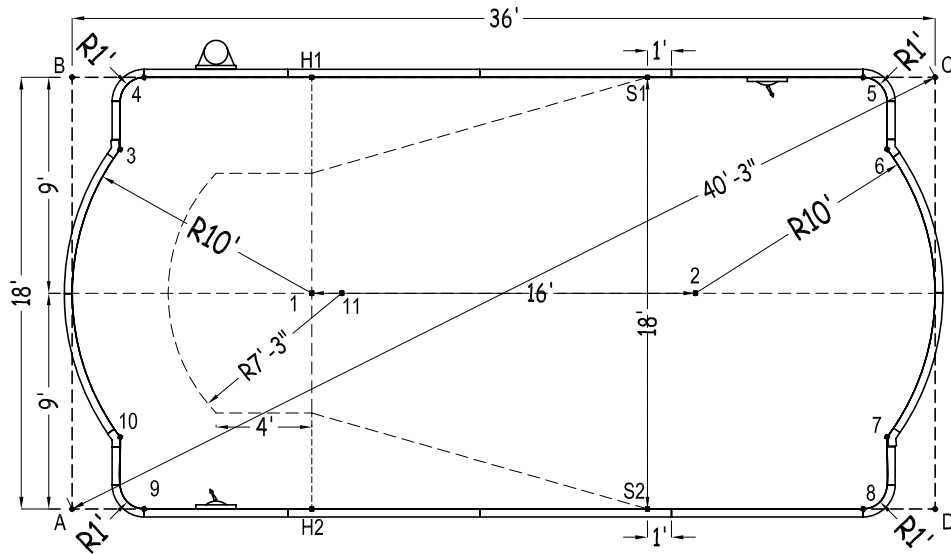
DIVING/SLIDING EQUIPMENT SHALL BE DESIGNED FOR SWIMMING POOLS AND SHALL BE INSTALLED IN ACCORDANCE WITH THE DIVING/SLIDING EQUIPMENT MANUFACTURER'S SPECIFICATIONS. PLEASE CONTACT THE DIVING/SLIDING EQUIPMENT MANUFACTURER FOR THEIR SPECIFICATIONS.

MEETS DEPTH AND SHAPE MINIMUM STANDARD ANSI/NSPI5-2003

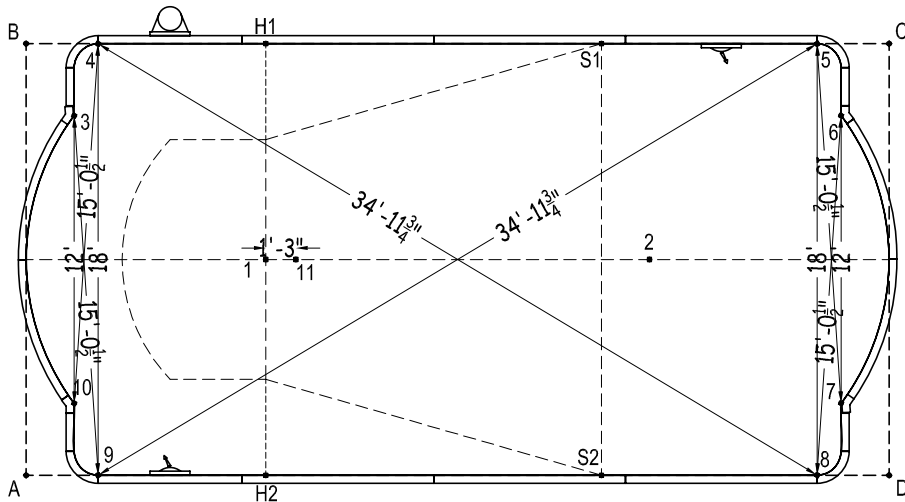
Roman

2007

No Step
6' Step
8' Step



Part number	Description	Qty	Qty	Qty
02-SP08	8' Plain	5	5	5
02-SI08	8' Inlet	1	1	1
02-SS06	6' Skimmer	1	1	1
02-SI06	6' Inlet	1	1	1
02-SP01P	1\"/>			



	A	B	C	D
1	13'-5 1/2"	13'-5 1/2"	27'-6 1/4"	27'-6 1/4"
2	27'-6 1/4"	27'-6 1/4"	13'-5 1/2"	13'-5 1/2"
3	15'-1 1/2"	3'-7 1/4"	34'-1 1/2"	37'-2"
4	18'-3"	3'	33'	37'-7"
5	37'-7"	33'	3'	18'-3"
6	37'-2"	34'-1 1/2"	3'-7 1/4"	15'-1 1/2"
7	34'-1 1/2"	37'-2"	15'-1 1/2"	3'-7 1/4"
8	33'	37'-7"	18'-3"	3'
9	3'	18'-3"	37'-7"	33'
10	3'-7 1/4"	15'-1 1/2"	37'-2"	34'-1 1/2"
11	14'-5"	14'-5"	26'-4"	26'-4"
H1	20'-7"	10'	26'	31'-7 1/2"
H2	10'	20'-7"	31'-7 1/2"	26'
S1	30'	24'	12'	21'-7 1/2"
S2	24'	30'	21'-7 1/2"	12'
A	-	18'	40'-3"	36'

Roman 18' x 36'

DWG #: KARMS42-1836-8'H_07

DATE: 1/01/2007

SHEET: 2 OF 2