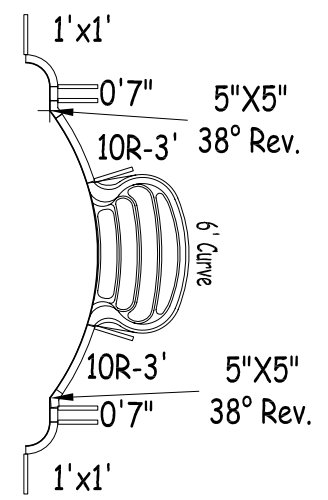
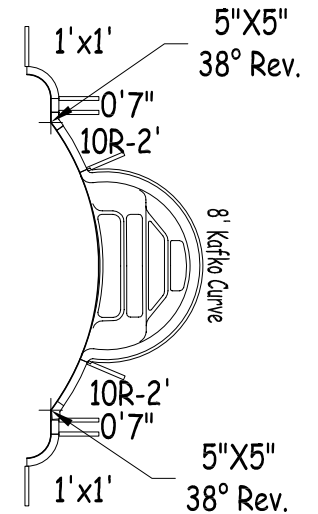


Steps Position



6' Step Option



8' Step Option



Steel
Roman 16' x 32'

DWG #:
KARMS42-1632-8'H_07

VOLUME (US Gal): 17 400

VOLUME (Litres): 65 700

AREA (SqFt):	480	PERIMETER:	88'
LINER AREA (SqFt):	512	DATE:	1/01/2007
SAFETY COVER (SqFt):	612	SCALE:	1/8" = 1'

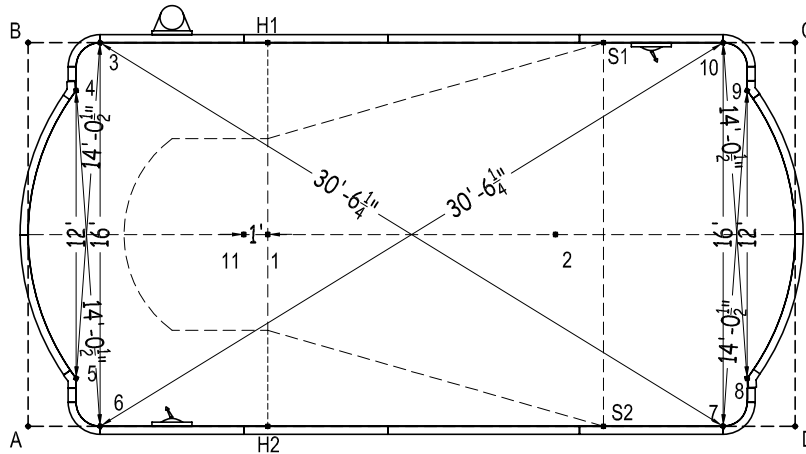
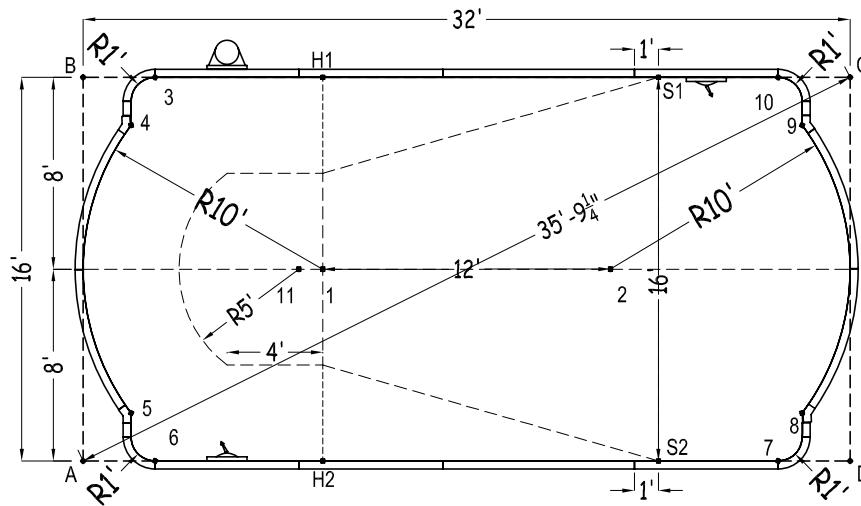


DIVING/SLIDING EQUIPMENT SHALL BE DESIGNED FOR SWIMMING POOLS AND SHALL BE INSTALLED IN ACCORDANCE WITH THE DIVING/SLIDING EQUIPMENT MANUFACTURER'S SPECIFICATIONS. PLEASE CONTACT THE DIVING/SLIDING EQUIPMENT MANUFACTURER FOR THEIR SPECIFICATIONS.

MEETS DEPTH AND SHAPE MINIMUM STANDARD ANSI/NSPI5-2003

2007

No Step
6' Step
8' Step



Part number	Description	Qty	Qty	Qty
02-SP08	8' Plain	2	2	2
02-SP06	6' Plain	3	3	3
02-SS06	6' Skimmer	1	1	1
02-SI06	6' Inlet	2	2	2
02-SP00P	0'7" Plain	3	3	3
02-CP06A-10	10R-6'	4	2	2
02-CP03A-10	10R-3'	-	2	-
02-CP02A-10	10R-2'	-	-	2
02-CA	1'x1'	4	4	4
	6' Curve Step	-	1	-
	8' Kafko Curve Step	-	-	1
02-AL00W	5"X5" 38° Rev. Angle	4	4	4
A-Frame	A-Frame Multiplier	20	21	21
15-0632-9	Optional Deck Supports	46	43	43

	A	B	C	D
1	12'-9 3/4"	12'-9 3/4"	23'-5"	23'-5"
2	23'-5"	23'-5"	12'-9 3/4"	12'-9 3/4"
3	16'-3 1/4"	3'	29'	33'-1 1/2"
4	14'-1 3/4"	2'-10"	30'-0 3/4"	33'-1 1/4"
5	2'-10"	14'-1 3/4"	33'-1 1/4"	30'-0 3/4"
6	3'	16'-3 1/4"	33'-1 1/2"	29'
7	29'	33'-1 1/2"	16'-3 1/4"	3'
8	30'-0 3/4"	33'-1 1/4"	14'-1 3/4"	2'-10"
9	33'-1 1/4"	30'-0 3/4"	2'-10"	14'-1 3/4"
10	33'-1 1/2"	29'	3'	16'-3 1/4"
11	12'-0 1/2"	12'-0 1/2"	24'-4 1/4"	24'-4 1/4"
H1	18'-10 1/2"	10'	22'	27'-2 1/2"
H2	10'	18'-10 1/2"	27'-2 1/2"	22'
S1	28'-10 1/4"	24'	8'	17'-10 3/4"
S2	24'	28'-10 1/4"	17'-10 3/4"	8'
A	-	16'	35'-9 1/4"	32'