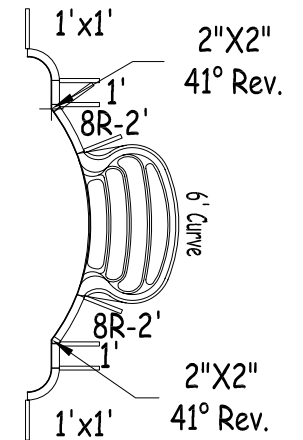
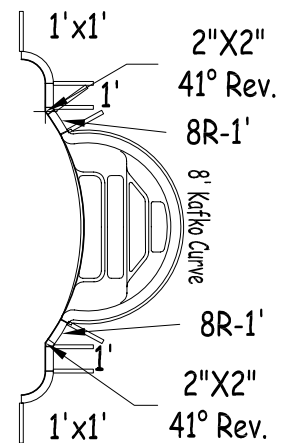


Steps Position



6' Step Option



8' Step Option



Steel

# Roman 14' x 28'

DWG #: KARMS42-1428-6'H\_07

VOLUME (US Gal): 11 000

VOLUME (Litres): 41 800

AREA (SqFt): 370

LINER AREA (SqFt): 395

SAFETY COVER (SqFt): 484

PERIMETER: 77'-8"

DATE: 1/01/2007

SCALE: 1/8" = 1'



**Feet First**

**NON-DIVING POOL**

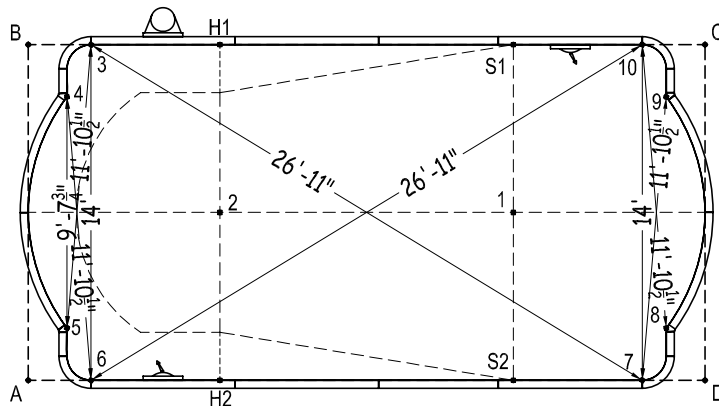
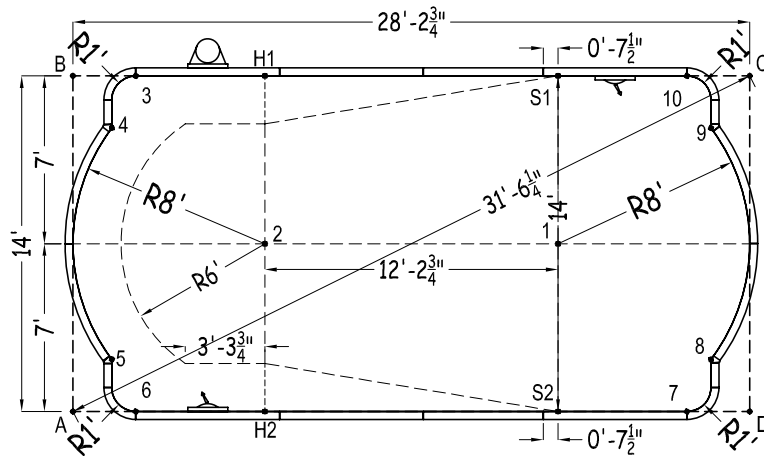
**USE OF DIVING EQUIPMENT IS PROHIBITED**

MEETS DEPTH AND SHAPE MINIMUM STANDARD ANSI/NSPI5-2003

**Roman**

# 2007

No Step  
6' Step  
8' Step



Part number	Description	Qty	Qty	Qty
02-SP06	6' Plain	3	3	3
02-SS06	6' Skimmer	1	1	1
02-SI06	6' Inlet	2	2	2
02-SP05	5' Plain	2	2	2
02-SP01	1' Plain	3	3	3
02-CP05A-08	8R-5'	4	2	2
02-CP02A-08	8R-2'	-	2	-
02-CP01A-08	8R-1'	-	-	2
02-CA	1'x1'	4	4	4
	6' Curve Step	-	1	-
	8' Kafko Curve Step	-	-	1
02-AA	2"X2" 41° Rev. Angle	4	4	4
A-Frame	A-Frame Multiplier	20	21	21
15-0632-9	Optional Deck Supports	38	37	37

	A	B	C	D
1	21'-5"	21'-5"	10'-7 1/2"	10'-7 1/2"
2	10'-7 1/2"	10'-7 1/2"	21'-5"	21'-5"
3	14'-3"	2'-7 1/2"	25'-7 1/2"	29'-2 1/4"
4	11'-11 1/4"	2'-8 1/2"	26'-8 1/2"	29'-1 1/2"
5	2'-8 1/2"	11'-11 1/4"	29'-1 1/2"	26'-8 1/2"
6	2'-7 1/2"	14'-3"	29'-2 1/4"	25'-7 1/2"
7	25'-7 1/2"	29'-2 1/4"	14'-3"	2'-7 1/2"
8	26'-8 1/2"	29'-1 1/2"	11'-11 1/4"	2'-8 1/2"
9	29'-1 1/2"	26'-8 1/2"	2'-8 1/2"	11'-11 1/4"
10	29'-2 1/4"	25'-7 1/2"	2'-7 1/2"	14'-3"
H1	16'-1 1/2"	8'	20'-2 3/4"	24'-7 1/4"
H2	8'	16'-1 1/2"	24'-7 1/4"	20'-2 3/4"
S1	24'-7 1/4"	20'-2 3/4"	8'	16'-1 1/2"
S2	20'-2 3/4"	24'-7 1/4"	16'-1 1/2"	8'
A	-	14'	31'-6 1/4"	28'-2 3/4"