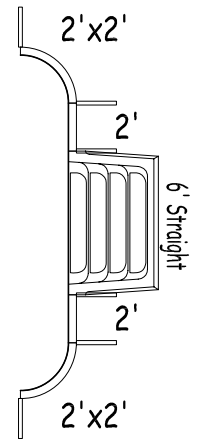
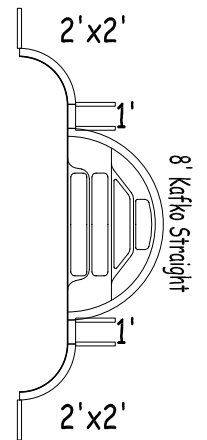


Steps Position



6' Step Option



8' Step Option

SHEET: 1 OF 2



Steel

## Bahama 14' x 28'

DWG #:  
KAR2S42-1428-6'H\_07

VOLUME (US Gal): 11 600

VOLUME (Litres): 43 900

AREA (SqFt): 389

LINER AREA (SqFt): 392

SAFETY COVER (SqFt): 480

PERIMETER: 80'-7"

DATE: 1/01/2007

SCALE: 1/8" = 1'



**Feet First**

**NON-DIVING  
POOL**

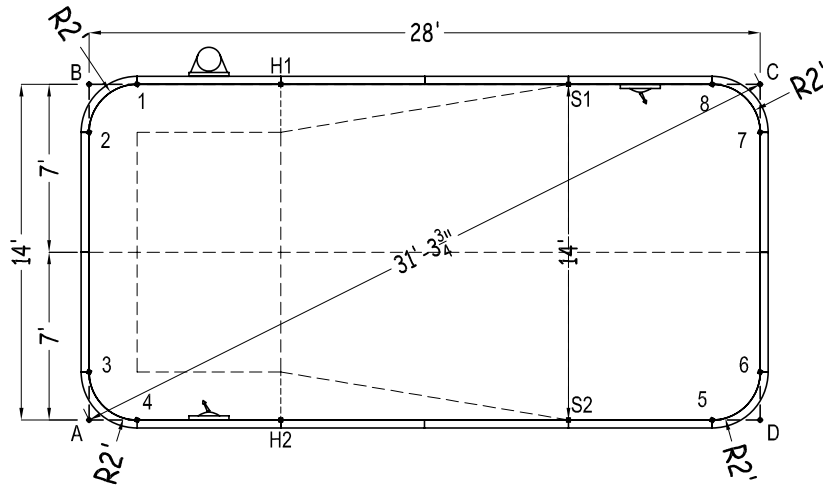
**USE OF DIVING  
EQUIPMENT IS  
PROHIBITED**

MEETS DEPTH AND SHAPE MINIMUM STANDARD ANSI/NSPI5-2003

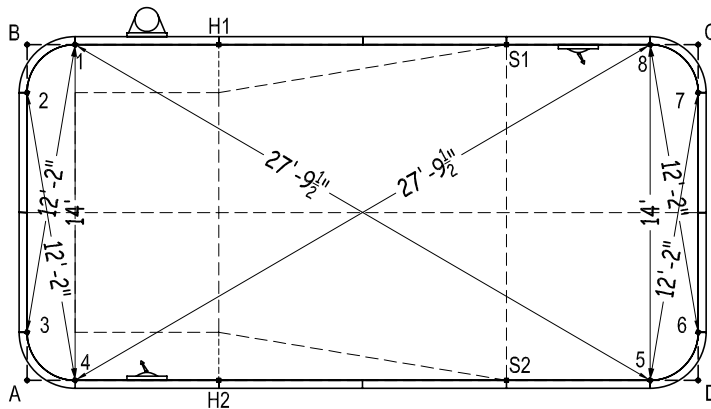
**Bahama**

# 2007

No Step  
6' Step  
8' Step



Part number	Description	Qty	Qty	Qty
02-SP06	6' Plain	5	5	5
02-SS06	6' Skimmer	1	1	1
02-SI06	6' Inlet	2	2	2
02-SP05	5' Plain	4	2	2
02-SP02	2' Plain	-	2	-
02-SP01	1' Plain	-	-	2
02-CB	2'x2'	4	4	4
	6' Straight Step	-	1	-
	8' Kafko Straight Step	-	-	1
A-Frame	A-Frame Multiplier	16	17	17
15-0632-9	Optional Deck Supports	36	35	35



	A	B	C	D
1	14'-1 3/4"	2'	26'	29'-6 1/4"
2	12'	2'	28'-0 3/4"	30'-5 1/2"
3	2'	12'	30'-5 1/2"	28'-0 3/4"
4	2'	14'-1 3/4"	29'-6 1/4"	26'
5	26'	29'-6 1/4"	14'-1 3/4"	2'
6	28'-0 3/4"	30'-5 1/2"	12'	2'
7	30'-5 1/2"	28'-0 3/4"	2'	12'
8	29'-6 1/4"	26'	2'	14'-1 3/4"
H1	16'-1 1/2"	8'	20'	24'-5"
H2	8'	16'-1 1/2"	24'-5"	20'
S1	24'-5"	20'	8'	16'-1 1/2"
S2	20'	24'-5"	16'-1 1/2"	8'
A	-	14'	31'-3 3/4"	28'