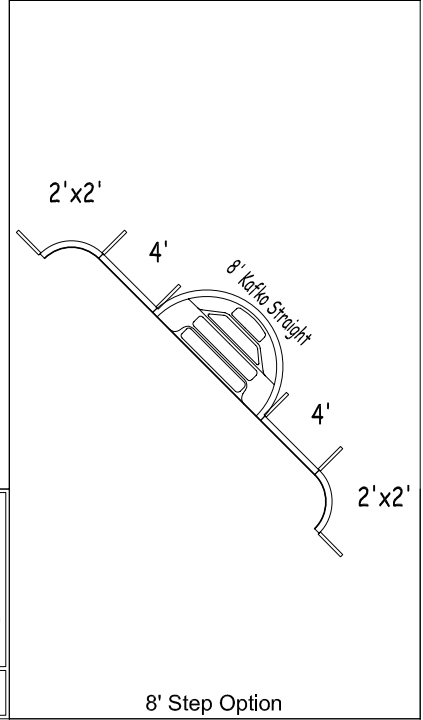
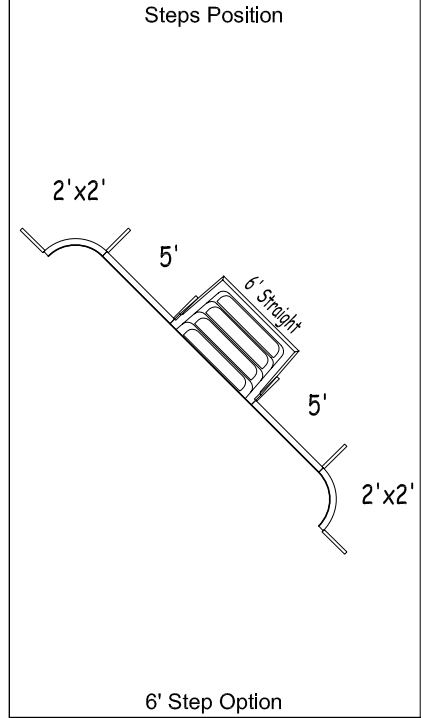
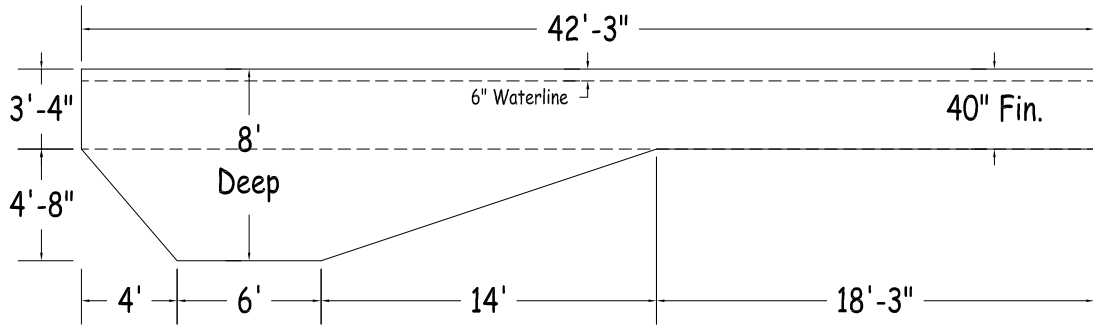
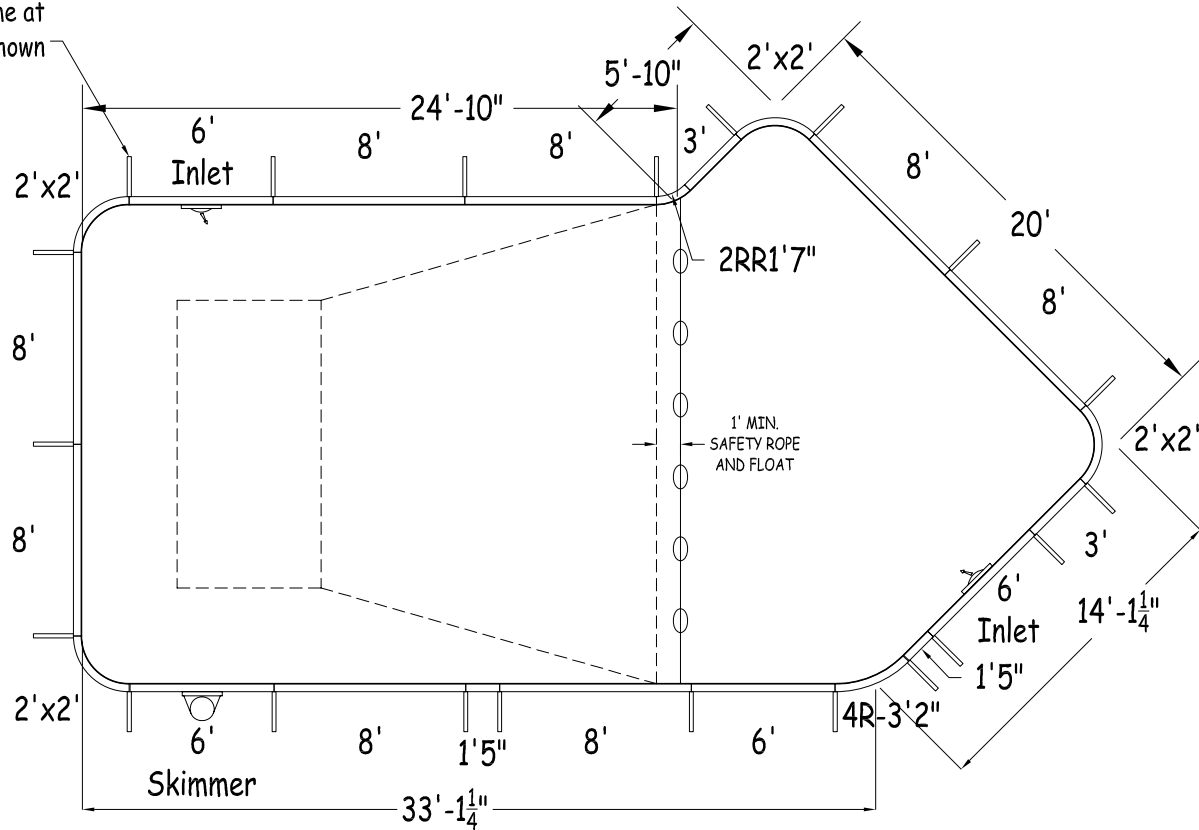
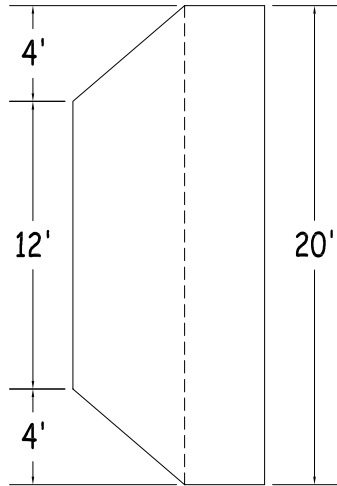


Add A-frame at panel joints as shown



Bahama Lazy-L 20' x 42' Right

DWG #: KAL2S42-2042-8'H_07R

VOLUME (US Gal): 26 000

VOLUME (Litres): 98 500

AREA (SqFt): 775

LINER AREA (SqFt): 778

SAFETY COVER (SqFt): 901

PERIMETER: 114'-2"

DATE: 1/01/2007

SCALE: 1/8" = 1'

Steel



Feet First

DIVING/SLIDING EQUIPMENT SHALL BE DESIGNED FOR SWIMMING POOLS AND SHALL BE INSTALLED IN ACCORDANCE WITH THE DIVING/SLIDING EQUIPMENT MANUFACTURER'S SPECIFICATIONS. PLEASE CONTACT THE DIVING/SLIDING EQUIPMENT MANUFACTURER FOR THEIR SPECIFICATIONS.

MEETS DEPTH AND SHAPE MINIMUM STANDARD ANSI/NSPI5-2003

Bahama Lazy-L

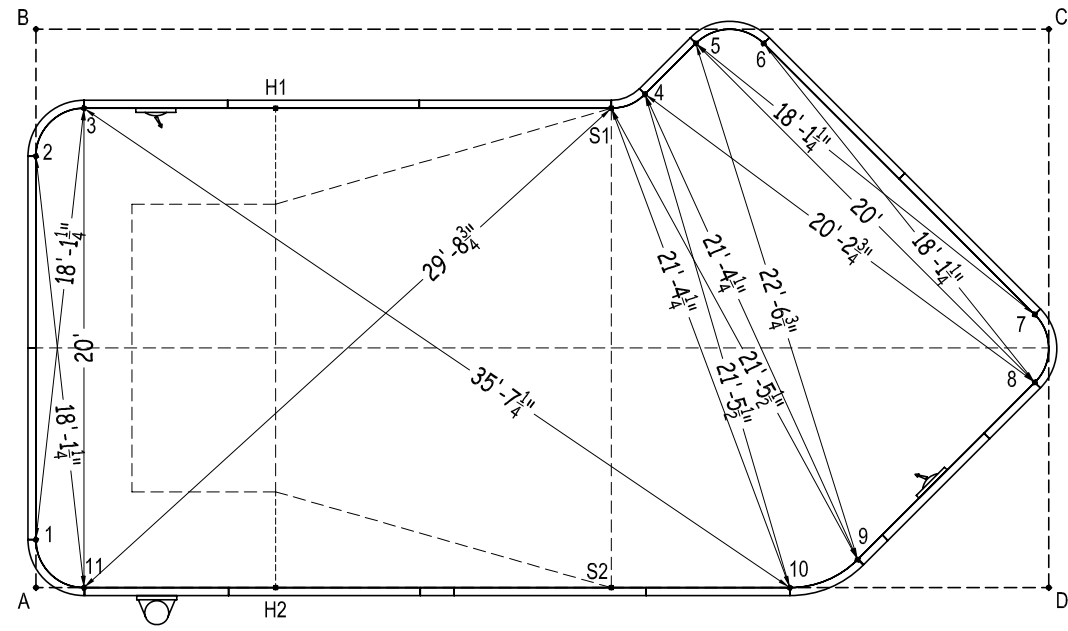
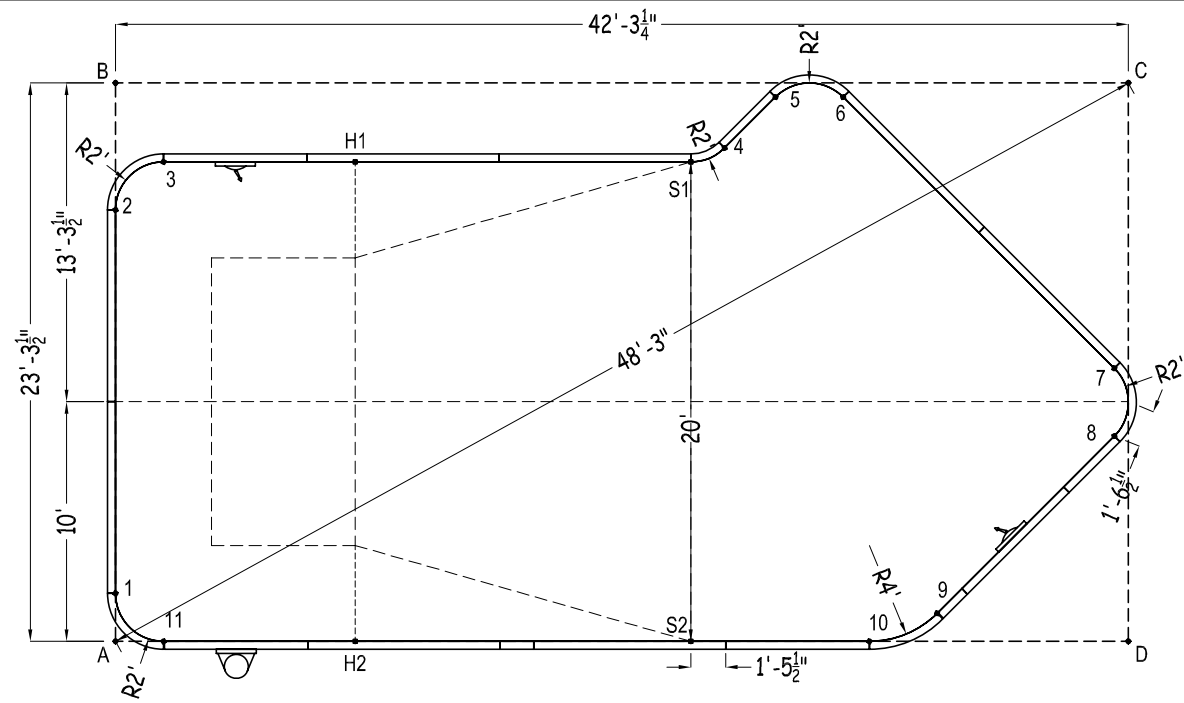
8' Step Option

SHEET: 1 OF 2

2007

	No Step	6' Step	8' Step
--	---------	---------	---------

Part number	Description	Qty	Qty	Qty
02-SP08	8' Plain	7	5	5
02-SP06	6' Plain	2	2	2
02-SS06	6' Skimmer	1	1	1
02-SI06	6' Inlet	2	2	2
02-SP05	5' Plain	-	2	-
02-SP04	4' Plain	-	-	2
02-SP03	3' Plain	2	2	2
02-SP01K	1'5" Plain	2	2	2
02-CP03E-04	4R-3'2"	1	1	1
02-RP01P-02	2RR-1'7"	1	1	1
02-CB	2'x2'	4	4	4
	6' Straight Step	-	1	-
	8' Kafko Straight Step	-	-	1
A-Frame	A-Frame Multiplier	21	22	22
15-0632-9	Optional Deck Supports	53	50	50



	A	B	C	D
1	2'	21'-3 1/2"	47'-4"	42'-3 3/4"
2	18'	5'-3 1/2"	42'-7"	45'-11 1/4"
3	20'-1 1/4"	3'-10 1/4"	40'-4 3/4"	44'-11 1/2"
4	32'-8 1/2"	25'-6 3/4"	17'-0 3/4"	26'-7 1/4"
5	35'-8 1/4"	27'-6 1/2"	14'-8 3/4"	27'-0 3/4"
6	37'-11"	30'-4 1/2"	11'-11"	25'-7 3/4"
7	43'-2 1/2"	43'-4"	11'-11"	11'-5"
8	42'-6 1/2"	44'-2 1/2"	14'-8 3/4"	8'-7"
9	34'-3 3/4"	40'-9 1/2"	23'-6 1/4"	8'-0 3/4"
10	31'-5 1/2"	39'-1 3/4"	25'-8 1/4"	10'-9 3/4"
11	2'	23'-4 1/2"	46'-6 1/4"	40'-3 1/4"
H1	22'-4 1/4"	10'-6 1/4"	32'-5 1/4"	37'-11 1/2"
H2	10'	25'-4 1/4"	39'-9 1/2"	32'-3 1/4"
S1	31'-3"	24'-2 3/4"	18'-6 3/4"	27'-1"
S2	24'	33'-5 1/4"	29'-7 1/4"	18'-3 1/4"
A	-	23'-3 1/2"	48'-3"	42'-3 1/4"