

	Steel	
	<b>Bahama Lazy-L 18' x 40' Left</b>	
DWG #: KAL2S42-1840-8'H_07L	AREA (SqFt): 663	PERIMETER: 106'-4"
VOLUME (US Gal): 22 600	LINER AREA (SqFt): 668	DATE: 1/01/2007
VOLUME (Litres): 85 500	SAFETY COVER (SqFt): 782	SCALE: 1/8" = 1'

DIVING/SLIDING EQUIPMENT SHALL BE DESIGNED FOR SWIMMING POOLS AND SHALL BE INSTALLED IN ACCORDANCE WITH THE DIVING/SLIDING EQUIPMENT MANUFACTURER'S SPECIFICATIONS. PLEASE CONTACT THE DIVING/SLIDING EQUIPMENT MANUFACTURER FOR THEIR SPECIFICATIONS.

**Feet First**™

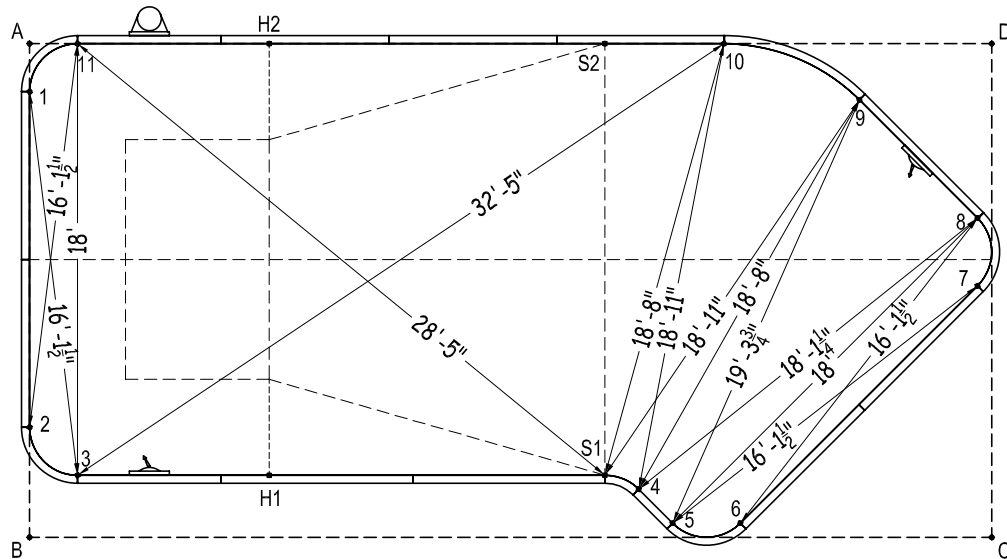
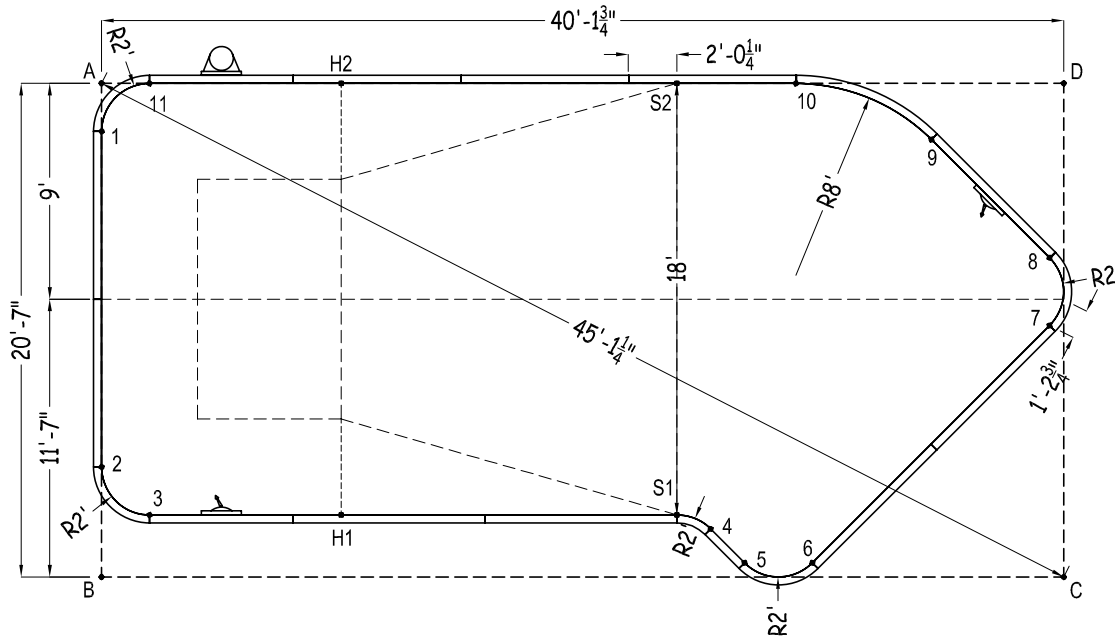
MEETS DEPTH AND SHAPE MINIMUM STANDARD ANSI/NSPI5-2003

**Bahama Lazy-L**

# 2007

No Step  
6' Step  
8' Step

Part number	Description	Qty	Qty	Qty
02-SP08	8' Plain	2	2	2
02-SP07	7' Plain	7	5	5
02-SI07	7' Inlet	1	1	1
02-SS06	6' Skimmer	1	1	1
02-SI06	6' Inlet	1	1	1
02-SP04	4' Plain	-	2	-
02-SP03	3' Plain	-	-	2
02-SP02	2' Plain	1	1	1
02-CP06G-08	8R-6'3"	1	1	1
02-RP01P-02	2RR-1'7"	1	1	1
02-CB	2'x2'	4	4	4
	6' Straight Step	-	1	-
	8' Kafko Straight Step	-	-	1
A-Frame	A-Frame Multiplier	18	19	19
15-0632-9	Optional Deck Supports	46	45	43



	A	B	C	D
1	2'	18'-7"	44'-2 3/4"	40'-2 1/4"
2	16'	4'-7"	40'-4 3/4"	43'-2 1/2"
3	18'-1 1/4"	3'-3 1/4"	38'-2 3/4"	42'-2"
4	31'-5 3/4"	25'-6"	14'-10 1/4"	23'-8 1/2"
5	33'-5 1/2"	26'-10"	13'-4"	24'-0 1/4"
6	35'-9 1/4"	29'-8"	10'-6"	22'-7"
7	40'-10"	40'-11"	10'-6"	10'-1 1/2"
8	40'-2 3/4"	41'-8 3/4"	13'-4"	7'-3 1/2"
9	34'-8 1/2"	39'-1 3/4"	19'-0 3/4"	6'
10	28'-11 3/4"	35'-6 1/2"	23'-5"	11'-2"
11	2'	20'-8 1/4"	43'-4"	38'-1 3/4"
H1	20'-7"	10'-4"	30'-3"	35'-1 1/4"
H2	10'	22'-10 3/4"	36'-6"	30'-1 3/4"
S1	30'	24'-1 3/4"	16'-4 1/4"	24'-2 1/4"
S2	24'	31'-7 1/2"	26'-2"	16'-1 3/4"
A	-	20'-7"	45'-1 1/4"	40'-1 3/4"