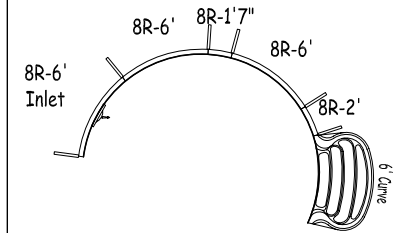
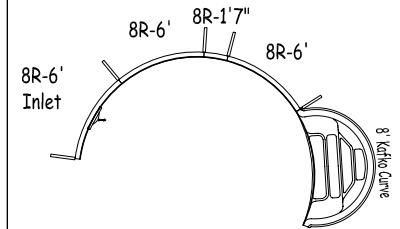


Steps Position



6' Step Option



8' Step Option



Steel
Lagoon 16' x 32' Right

DWG #:
KALGS42-1632-8'H_07R

VOLUME (US Gal): 21 200

VOLUME (Litres): 80 100

AREA (SqFt): 615

LINER AREA (SqFt): 704

SAFETY COVER (SqFt): 893

PERIMETER: 102'

DATE: 1/01/2007

SCALE: Not to scale



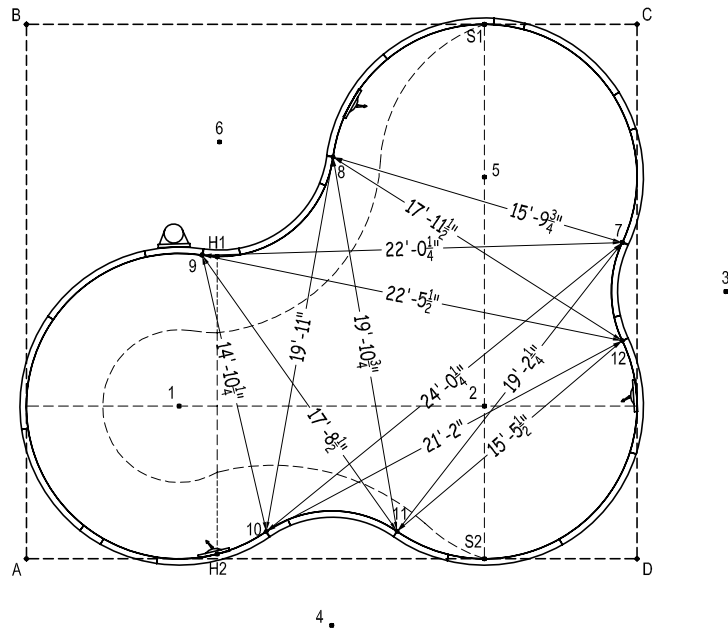
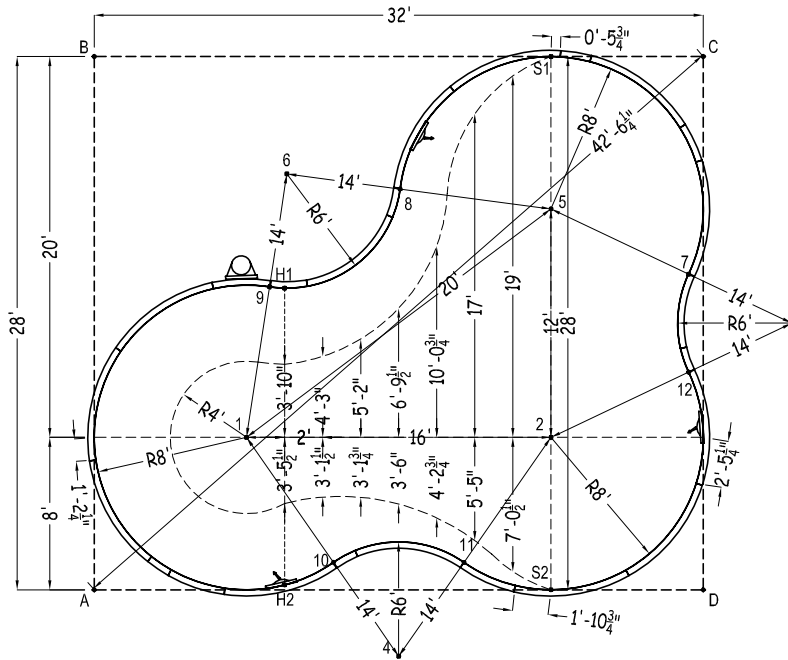
Feet First

DIVING/SLIDING EQUIPMENT SHALL BE DESIGNED FOR SWIMMING POOLS AND SHALL BE INSTALLED IN ACCORDANCE WITH THE DIVING/SLIDING EQUIPMENT MANUFACTURER'S SPECIFICATIONS. PLEASE CONTACT THE DIVING/SLIDING EQUIPMENT MANUFACTURER FOR THEIR SPECIFICATIONS.

MEETS DEPTH AND SHAPE MINIMUM STANDARD ANSI/NSPI5-2003

2007

No Step
6' Step
8' Step



Part number	Description	Qty	Qty	Qty
02-CP06A-08	8R-6'	8	7	7
02-CI06A-08	8R-6' Inlet	3	3	3
02-CP03A-08	8R-3'	2	2	2
02-CP02A-08	8R-2'	1	1	-
02-CP01P-08	8R-17"	1	1	1
02-CP01G-08	8R-1'3"	1	1	1
02-RP06A-06	B-6'	2	2	2
02-RP04A-06	B-4'	1	1	1
02-RP02A-06	B-2'	1	1	1
02-RP01P-06	B-17"	1	1	1
02-RP01I-06	B-14"	2	2	2
02-CK03A-00	3' Flex Skimmer	1	1	1
	6' Curve Step	-	1	-
	8' Kafko Curve Step	-	-	1
A-Frame	A-Frame Multiplier	24	24	23
15-0632-9	Optional Deck Supports	51	49	48

	A	B	C	D
1	11'-3 3/4"	21'-6 1/2"	31'-3"	25'-3 1/2"
2	25'-3 1/2"	31'-3"	21'-6 1/2"	11'-3 3/4"
3	39'-2 3/4"	39'-2 3/4"	14'-9"	14'-9"
4	16'-4 1/2"	35'-3 3/4"	35'-3 3/4"	16'-4 1/2"
5	31'-3"	25'-3 1/2"	11'-3 3/4"	21'-6 1/2"
6	24'-0 3/4"	11'-10 1/4"	22'-8 3/4"	30'-11"
7	35'-4 1/4"	33'-3"	11'-5 1/2"	16'-7"
8	26'-5 3/4"	17'-6"	17'-4 1/2"	26'-4 3/4"
9	18'-4 1/2"	15'-2 1/2"	25'-9 1/2"	27'-9 1/2"
10	12'-7 3/4"	29'-4 3/4"	32'-11"	19'-5 3/4"
11	19'-5 3/4"	32'-11"	29'-4 3/4"	12'-7 3/4"
12	33'-3"	35'-4 1/4"	16'-7"	11'-5 1/2"
13	28'-9"	26'-10 3/4"	14'-6 3/4"	17'-9"
H1	18'-8 3/4"	15'-9"	25'-1 3/4"	27'-1 1/4"
H2	10'	29'-6"	35'-5"	22'
S1	36'-10 1/2"	24'	8'	29'-1 1/2"
S2	24'	36'-10 1/2"	29'-1 1/2"	8'
A	-	28'	42'-6 1/4"	32'