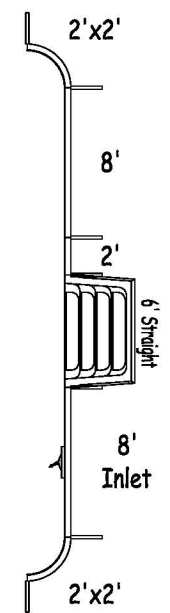
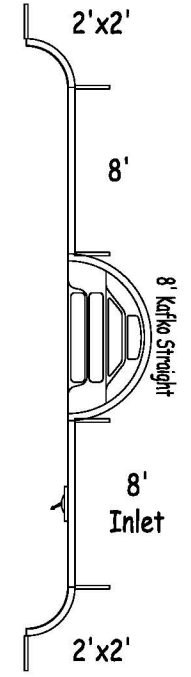


Steps Position



6' Step Option



8' Step Option



Steel  
Bahama Full-L 18' x 38' Right

DWG #:  
KASLS42-1838-8'H\_07R

VOLUME (US Gal): 25 500

VOLUME (Litres): 96 600

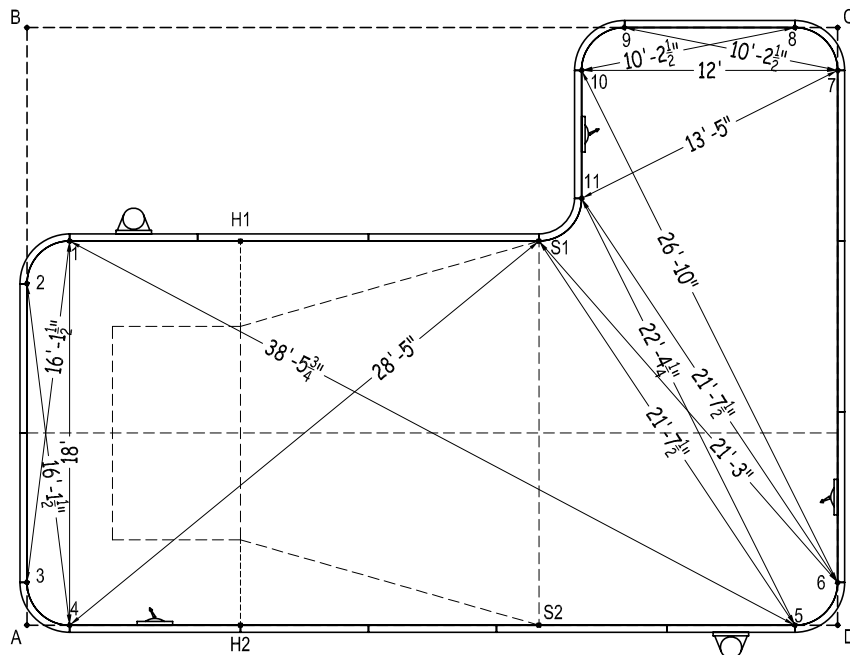
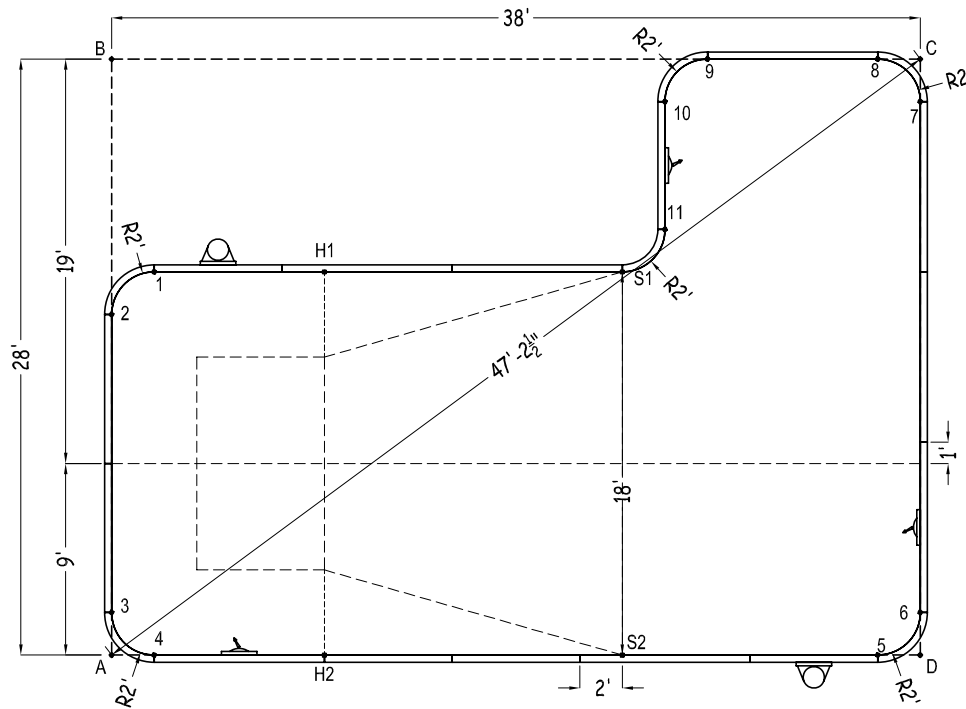
AREA (SqFt):	801	PERIMETER:	126'-10"
LINER AREA (SqFt):	804	DATE:	1/01/2007
SAFETY COVER (SqFt):	940	SCALE:	Not to scale



DIVING/SLIDING EQUIPMENT SHALL BE DESIGNED FOR SWIMMING POOLS AND SHALL BE INSTALLED IN ACCORDANCE WITH THE DIVING/SLIDING EQUIPMENT MANUFACTURER'S SPECIFICATIONS. PLEASE CONTACT THE DIVING/SLIDING EQUIPMENT MANUFACTURER FOR THEIR SPECIFICATIONS.

MEETS DEPTH AND SHAPE MINIMUM STANDARD ANSI/NSPI5-2003

**Bahama Full-L**



2007

No Step  
6' Step  
8' Step

Part number	Description	Qty	Qty	Qty
02-SP08	8' Plain	6	5	5
02-SI08	8' Inlet	2	2	2
02-SP07	7' Plain	2	2	2
02-SP06	6' Plain	2	2	2
02-SS06	6' Skimmer	2	2	2
02-SI06	6' Inlet	1	1	1
02-SP02	2' Plain	-	1	-
02-RB	Rev. 2'x2'	1	1	1
02-CB	2'x2'	5	5	5
	6' Straight Step	-	1	-
	8' Kafko Straight Step	-	-	1
A-Frame	A-Frame Multiplier	21	22	21
15-0632-9	Optional Deck Supports	59	57	56

	A	B	C	D
1	18'-1 1/4"	10'-2 1/2"	37'-4 1/4"	40'-3"
2	16'	12'	39'-10 1/4"	41'-2 3/4"
3	2'	26'	46'-0 1/2"	38'-0 3/4"
4	2'	28'-0 3/4"	45'-7 1/4"	36'
5	36'	45'-7 1/4"	28'-0 3/4"	2'
6	38'-0 3/4"	46'-0 1/2"	26'	2'
7	46'-0 1/2"	38'-0 3/4"	2'	26'
8	45'-7 1/4"	36'	2'	28'-0 3/4"
9	39'-7 1/4"	28'	10'	29'-8 3/4"
10	36'-9 1/4"	26'-1"	12'-2"	28'-7 3/4"
11	32'-9 3/4"	27'-2 1/2"	14'-5"	23'-4"
H1	20'-7"	14'-1 3/4"	29'-8 3/4"	33'-3 1/2"
H2	10'	29'-8 3/4"	39'-7 1/4"	28'
S1	30'	26'	17'-2 1/2"	22'-9 3/4"
S2	24'	36'-10 1/2"	31'-3 3/4"	14'
A	-	28'	47'-2 1/2"	38'