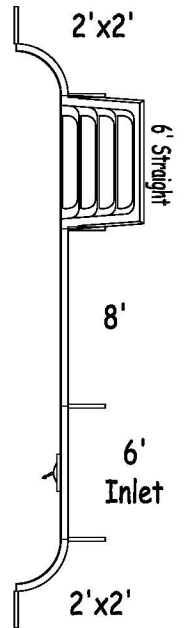
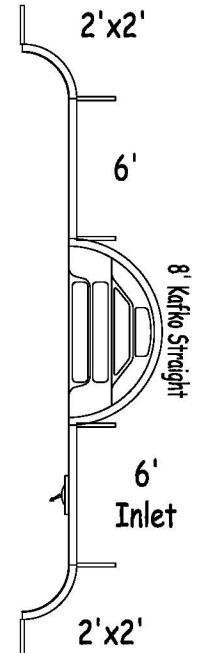


Steps Position



6' Step Option



8' Step Option

SHEET: 1 OF 2



Steel
Bahama Full-L 14' x 28' Right

DWG #:
KASLS42-1428-6'H_07R
VOLUME (US Gal): 13 200
VOLUME (Litres): 49 900

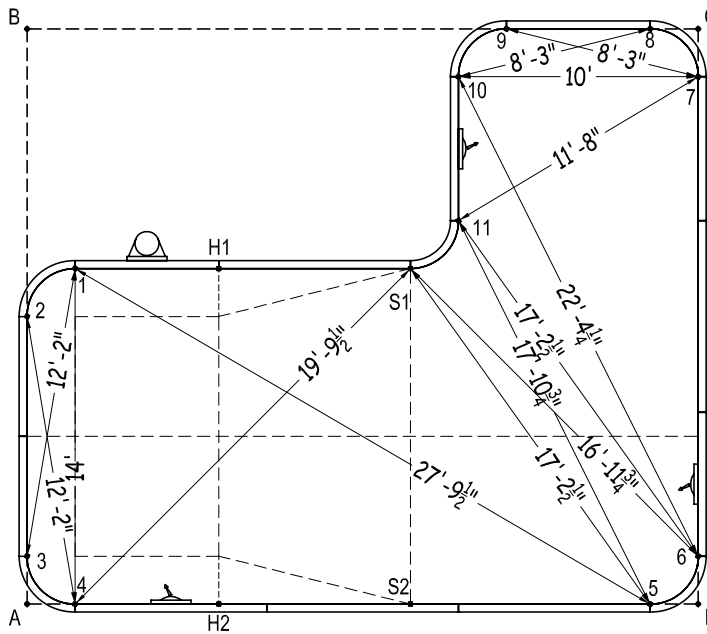
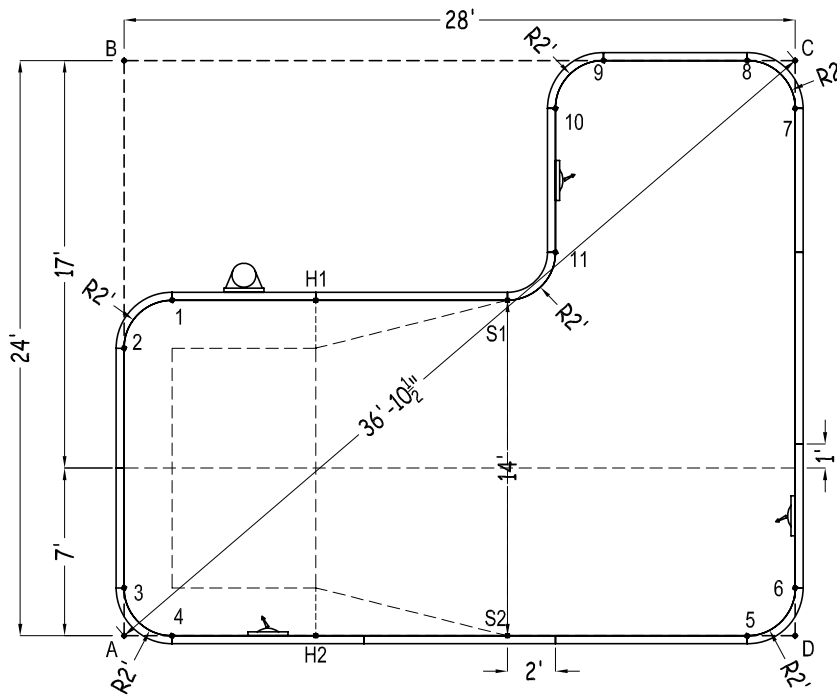
AREA (SqFt):	489	PERIMETER:	98'-10"
LINER AREA (SqFt):	492	DATE:	1/01/2007
SAFETY COVER (SqFt):	600	SCALE:	1/8" = 1'



NON-DIVING POOL
USE OF DIVING EQUIPMENT IS PROHIBITED

MEETS DEPTH AND SHAPE MINIMUM STANDARD ANSI/NSPI5-2003

Bahama Full-L



2007

Part number	Description			
		No Step	6' Step	8' Step
02-SP08	8' Plain	4	4	3
02-SI08	8' Inlet	1	1	1
02-SP06	6' Plain	2	1	2
02-SS06	6' Skimmer	1	1	1
02-SI06	6' Inlet	2	2	2
02-SP05	5' Plain	2	2	2
02-RB	Rev.2'x2'	1	1	1
02-CB	2'x2'	5	5	5
	6' Straight Step	-	1	-
	8' Kafko Straight Step	-	-	1
A-Frame	A-Frame Multiplier	18	18	18
15-0632-9	Optional Deck Supports	45	43	42

	A	B	C	D
1	14'-1 3/4"	10'-2 1/2"	27'-10 1/4"	29'-6 1/4"
2	12'	12'	30'-5 1/2"	30'-5 1/2"
3	2'	22'	35'-7 1/4"	28'-0 3/4"
4	2'	24'-1"	35'-4 1/2"	26'
5	26'	35'-4 1/2"	24'-1"	2'
6	28'-0 3/4"	35'-7 1/4"	22'	2'
7	35'-7 1/4"	28'-0 3/4"	2'	22'
8	35'-4 1/2"	26'	2'	24'-1"
9	31'-3"	20'	8'	25'-3 1/2"
10	28'-5"	18'-1 1/4"	10'-2 1/2"	24'-2"
11	24'-1"	19'-8 1/4"	12'-9 3/4"	18'-10 1/2"
H1	16'-1 1/2"	12'-9 3/4"	22'-4 1/4"	24'-5"
H2	8'	25'-3 1/2"	31'-3"	20'
S1	21'-3"	18'-10 1/2"	15'-7 1/2"	18'-5 1/4"
S2	16'	28'-10 1/4"	26'-10"	12'
A	-	24'	36'-10 1/2"	28'