

DWG #:
KACRS42-2040-8'H_07L

VOLUME (US Gal): 25 500

VOLUME (Litres): 96 500

Steel
Kidney 20' x 40' Left

| | | | |
|----------------------|------|------------|-----------|
| AREA (SqFt): | 746 | PERIMETER: | 106' |
| LINER AREA (SqFt): | 800 | DATE: | 1/01/2007 |
| SAFETY COVER (SqFt): | 1140 | SCALE: | 1/8" = 1' |



Feet First

MEETS DEPTH AND SHAPE MINIMUM STANDARD ANSI/NSPI5-2003

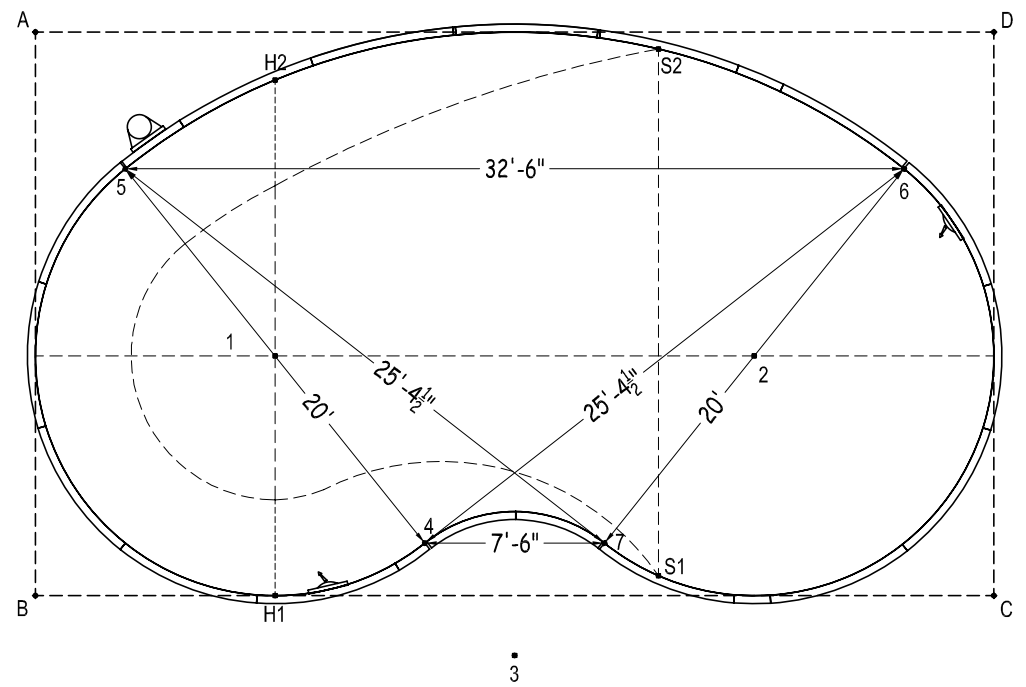
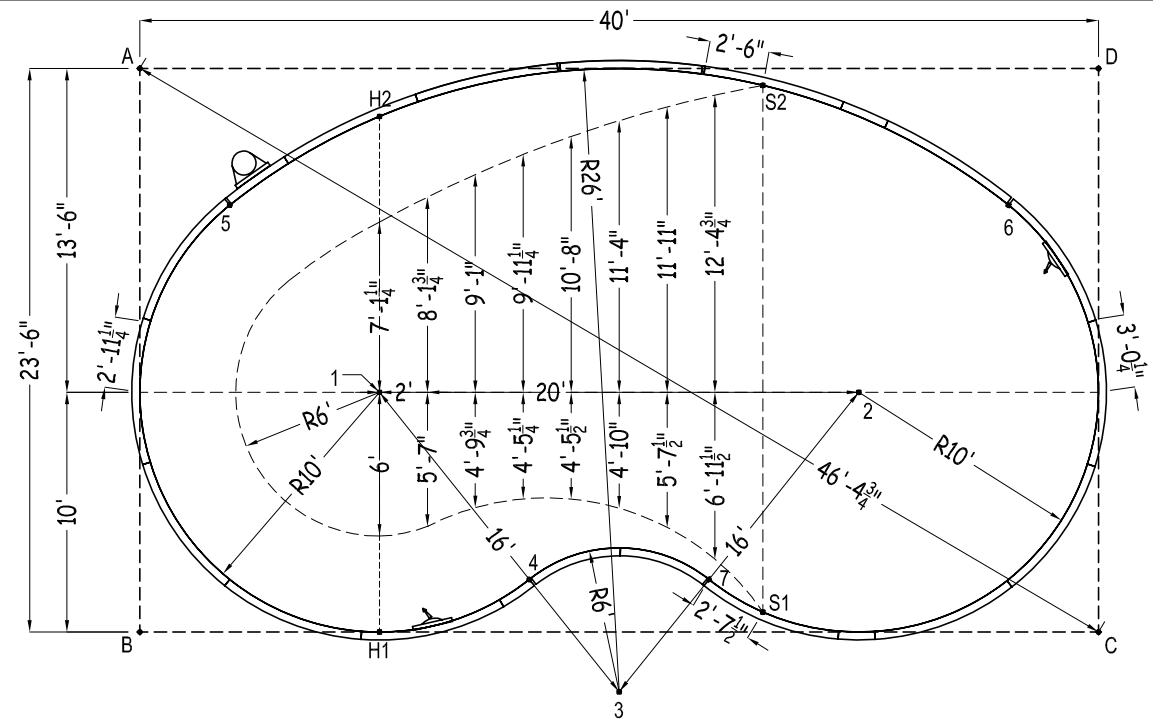
DIVING/SLIDING EQUIPMENT SHALL BE DESIGNED FOR SWIMMING POOLS AND SHALL BE INSTALLED IN ACCORDANCE WITH THE DIVING/SLIDING EQUIPMENT MANUFACTURER'S SPECIFICATIONS. PLEASE CONTACT THE DIVING/SLIDING EQUIPMENT MANUFACTURER FOR THEIR SPECIFICATIONS.

Kidney

2007

| | | |
|---------|---------|---------|
| No Step | 6' Step | 8' Step |
|---------|---------|---------|

| Part number | Description | Qty | Qty | Qty |
|-------------|------------------------|-----|-----|-----|
| 02-CP06A-26 | 26R-6' | 5 | 5 | 5 |
| 02-CP02A-26 | 26R-2' | 1 | 1 | 1 |
| 02-CP06A-10 | 10R-6' | 8 | 7 | 6 |
| 02-CI06A-10 | 10R-6' Inlet | 2 | 2 | 2 |
| 02-CP04A-10 | 10R-4' | - | - | 1 |
| 02-CP01M-10 | 10R-1'6" | 2 | 2 | 2 |
| 02-RP04A-06 | B-4' | 2 | 2 | 2 |
| 02-CK03A-00 | 3' Flex Skimmer | 1 | 1 | 1 |
| | 6' Curve Step | - | 1 | - |
| | 8' Kafko Curve Step | - | - | 1 |
| A-Frame | A-Frame Multiplier | 21 | 21 | 21 |
| 15-0632-9 | Optional Deck Supports | 53 | 51 | 50 |



| | A | B | C | D |
|----|-------------|-------------|-------------|-------------|
| 1 | 16'-9 3/4" | 14'-1 3/4" | 31'-7 1/2" | 32'-10 3/4" |
| 2 | 32'-10 3/4" | 31'-7 1/2" | 14'-1 3/4" | 16'-9 3/4" |
| 3 | 32'-9 3/4" | 20'-1 3/4" | 20'-1 3/4" | 32'-9 3/4" |
| 4 | 26'-9 3/4" | 16'-4 3/4" | 23'-10 1/4" | 31'-11" |
| 5 | 6'-10" | 18'-2 1/4" | 40'-4 3/4" | 36'-8 1/4" |
| 6 | 36'-8 1/4" | 40'-4 3/4" | 18'-2 1/4" | 6'-10" |
| 7 | 31'-11" | 23'-10 1/4" | 16'-4 3/4" | 26'-9 3/4" |
| H1 | 25'-6 1/2" | 10' | 30' | 38'-1 1/4" |
| H2 | 10'-2 1/2" | 23'-8 3/4" | 36'-11" | 30'-0 3/4" |
| S1 | 34'-6" | 26'-0 1/4" | 14'-0 1/4" | 26'-7 3/4" |
| S2 | 26' | 34'-7" | 26'-9 1/4" | 14'-0 1/4" |
| A | - | 23'-6" | 46'-4 3/4" | 40' |