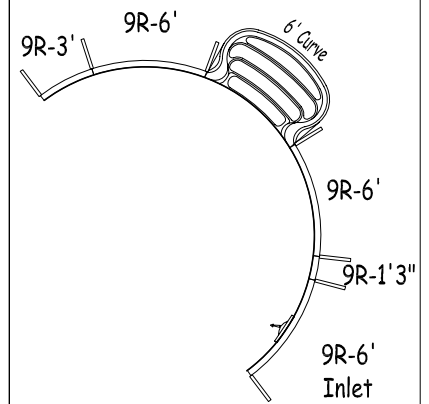
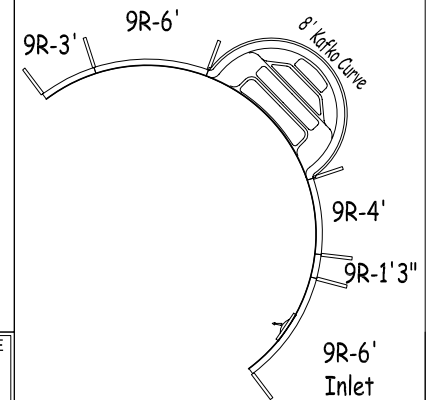


Steps Position



6' Step Option



8' Step Option



Steel  
**Kidney 18' x 36' Right**

DWG #:  
KACRS42-1836-8'H\_07R

VOLUME (US Gal): 20 900

VOLUME (Litres): 79 000

AREA (SqFt): 602

LINER AREA (SqFt): 648

SAFETY COVER (SqFt): 936

PERIMETER: 95'-2"

DATE: 1/01/2007

SCALE: 1/8" = 1'



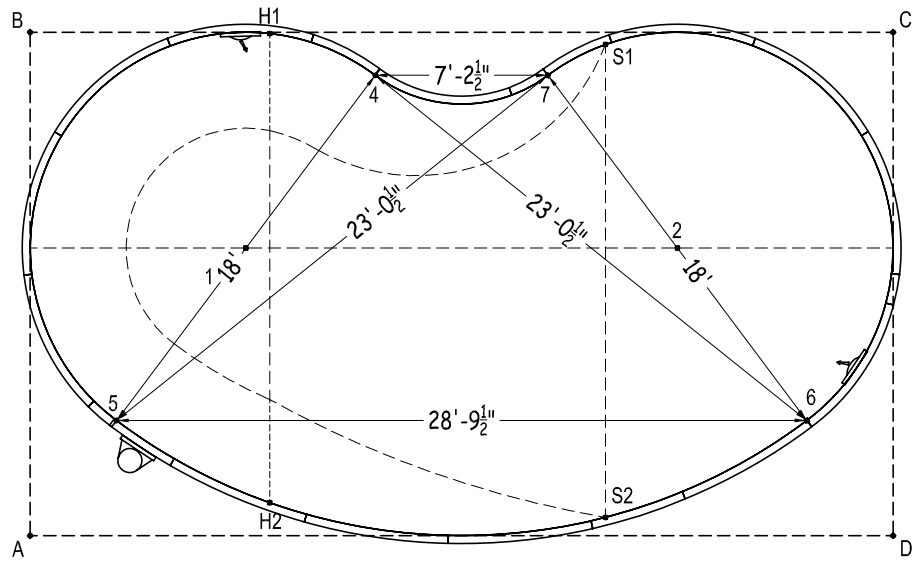
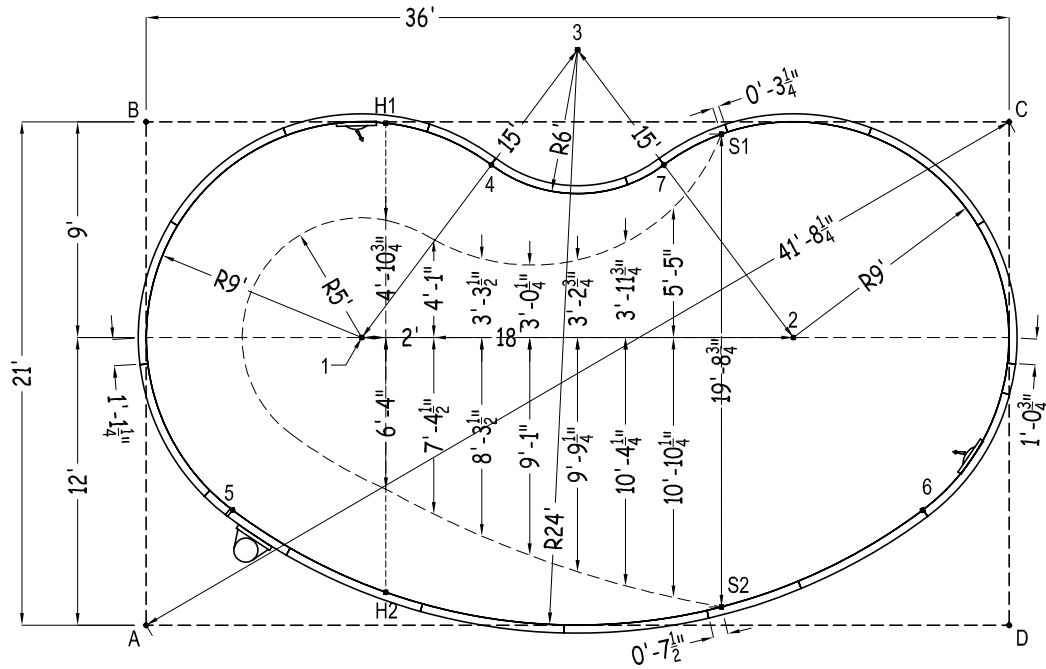
DIVING/SLIDING EQUIPMENT SHALL BE DESIGNED FOR SWIMMING POOLS AND SHALL BE INSTALLED IN ACCORDANCE WITH THE DIVING/SLIDING EQUIPMENT MANUFACTURER'S SPECIFICATIONS. PLEASE CONTACT THE DIVING/SLIDING EQUIPMENT MANUFACTURER FOR THEIR SPECIFICATIONS.

MEETS DEPTH AND SHAPE MINIMUM STANDARD ANSI/NSPI5-2003

**Kidney**

# 2007

No Step	6' Step	8' Step
---------	---------	---------



Part number	Description	Qty	Qty	Qty
02-CP06A-24	24R-6'	4	4	4
02-CP04A-24	24R-4'	1	1	1
02-CP06A-09	9R-6'	6	5	4
02-CI06A-09	9R-6' Inlet	2	2	2
02-CP04A-09	9R-4'	-	-	1
02-CP03A-09	9R-3'	2	2	2
02-CP01G-09	9R-1'3"	2	2	2
02-RP06A-06	B-6'	1	1	1
02-RP01T-06	B-1'9"	1	1	1
02-CK03A-00	3' Flex Skimmer	1	1	1
	6' Curve Step	-	1	-
	8' Kafko Curve Step	-	-	1
A-Frame	A-Frame Multiplier	20	20	20
15-0632-9	Optional Deck Supports	47	45	44

	A	B	C	D
1	15'	12'-8 3/4"	28'-5 1/2"	29'-6 1/2"
2	29'-6 1/2"	28'-5 1/2"	12'-8 3/4"	15'
3	30'	18'-3"	18'-3"	30'
4	24'	14'-6 1/4"	21'-8"	28'-10 3/4"
5	6'	16'-7 1/4"	36'-2 3/4"	32'-9"
6	32'-9"	36'-2 3/4"	16'-7 1/4"	6'
7	28'-10 3/4"	21'-8"	14'-6 1/4"	24'
H1	23'-2 1/2"	10'	26'	33'-4 3/4"
H2	10'-1 1/4"	22'-0 1/4"	32'-7"	26'-0 1/2"
S1	31'-6 3/4"	24'	12'-0 1/4"	23'-9"
S2	24'-0 1/4"	31'-4 3/4"	23'-6 1/4"	12'-0 1/4"
A	-	21'	41'-8 1/4"	36'