

DWG #: KACRS42-1632-8'H_07R	
VOLUME (US Gal): 17 300	VOLUME (Litres): 65 400

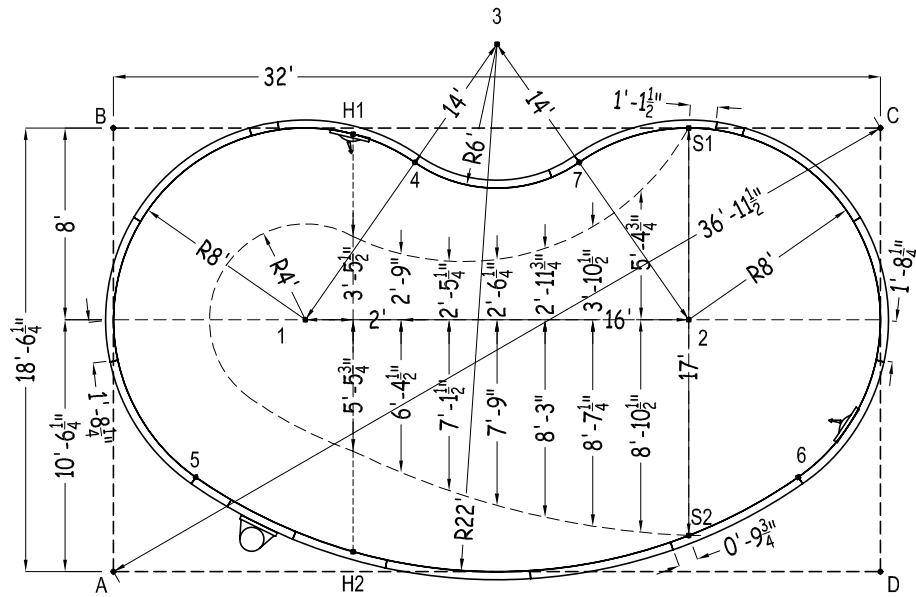
Steel	
Kidney 16' x 32' Right	
AREA (SqFt):	474
PERIMETER:	84'-4"
LINER AREA (SqFt):	512
DATE:	1/01/2007
SAFETY COVER (SqFt):	753
SCALE:	1/8" = 1'

DIVING/SLIDING EQUIPMENT SHALL BE DESIGNED FOR SWIMMING POOLS AND SHALL BE INSTALLED IN ACCORDANCE WITH THE DIVING/SLIDING EQUIPMENT MANUFACTURER'S SPECIFICATIONS. PLEASE CONTACT THE DIVING/SLIDING EQUIPMENT MANUFACTURER FOR THEIR SPECIFICATIONS.

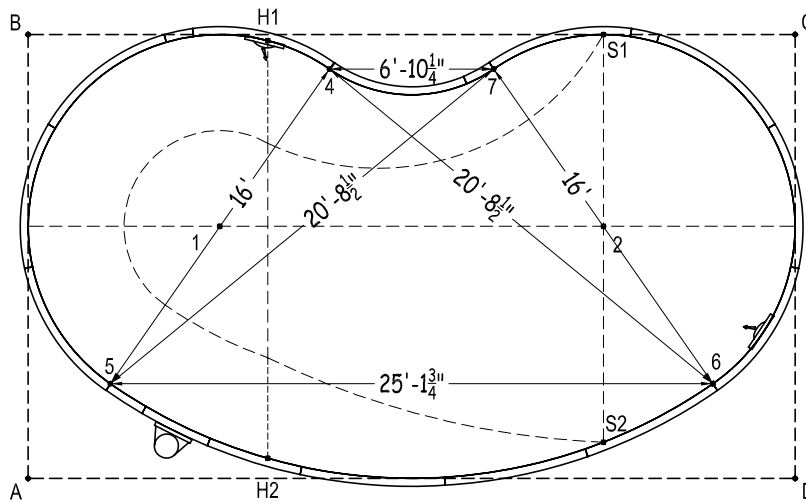
MEETS DEPTH AND SHAPE MINIMUM STANDARD ANSI/NSPI5-2003

2007

No Step
6' Step
8' Step



3



Part number	Description	Qty	Qty	Qty
02-CP06A-22	22R-6'	3	3	3
02-CP04A-22	22R-4'	1	1	1
02-CP01T-20	20R-1'9"	1	1	1
02-CP06A-08	8R-6'	6	5	4
02-CI06A-08	8R-6' Inlet	2	2	2
02-CP04A-08	8R-4'	-	-	1
02-CP01E-08	8R-1'2"	2	2	2
02-RP06A-06	B-6'	1	1	1
02-RP01I-06	B-1'4"	1	1	1
02-CK03A-00	3' Flex Skimmer	1	1	1
	6' Curve Step	-	1	-
	8' Kafko Curve Step	-	-	1
A-Frame	A-Frame Multiplier	18	18	18
15-0632-9	Optional Deck Supports	43	41	40

	A	B	C	D
1	13'-2 1/2"	11'-3 3/4"	25'-3 1/2"	26'-2 1/2"
2	26'-2 1/2"	25'-3 1/2"	11'-3 3/4"	13'-2 1/2"
3	27'-2 1/2"	16'-4 1/2"	16'-4 1/2"	27'-2 1/2"
4	21'-2 1/2"	12'-7 3/4"	19'-5 3/4"	25'-10 1/2"
5	5'-2 3/4"	14'-11 1/2"	32'-0 3/4"	28'-10"
6	28'-10"	32'-0 3/4"	14'-11 1/2"	5'-2 3/4"
7	25'-10 1/2"	19'-5 3/4"	12'-7 3/4"	21'-2 1/2"
H1	20'-9 3/4"	10'	22'	28'-7"
H2	10'-0 1/2"	20'-3 3/4"	28'-2 3/4"	22'-0 1/4"
S1	30'-3 3/4"	24'	8'	20'-2"
S2	24'-0 1/2"	29'-5"	18'-9 1/2"	8'-1 3/4"
A	-	18'-6 1/4"	36'-11 1/2"	32'