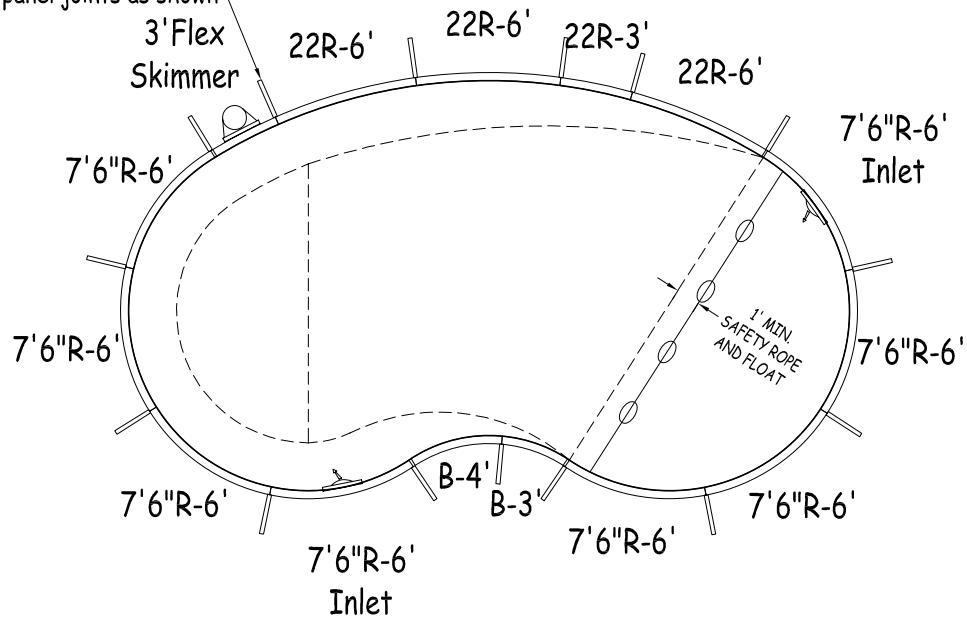
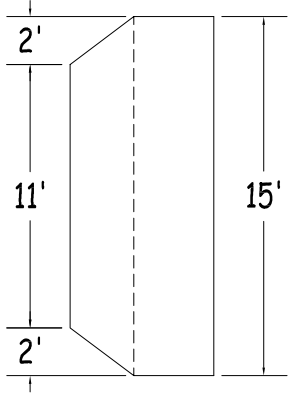
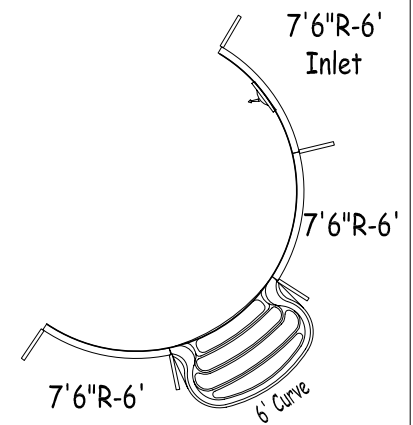


Add A-frame at panel joints as shown

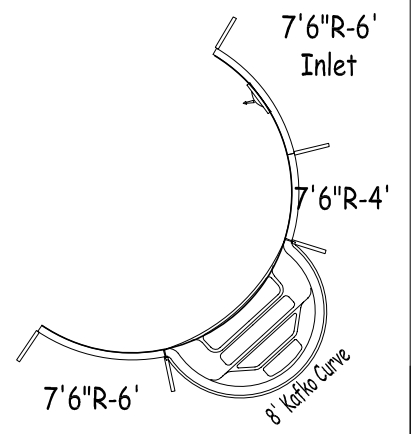
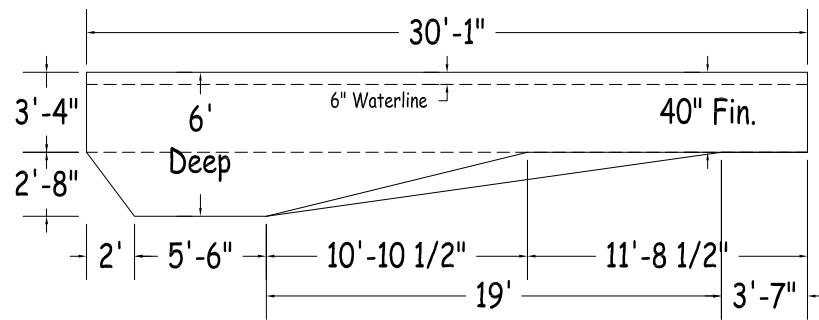
3' Flex Skimmer



Steps Position



6' Step Option



8' Step Option

SHEET: 1 OF 2



Steel

**Kidney 15' x 30' Left**

DWG #: KACRS42-1530-6'H\_07L  
 VOLUME (US Gal): 12 500  
 VOLUME (Litres): 47 200

AREA (SqFt):	414	PERIMETER:	79'
LINER AREA (SqFt):	451	DATE:	1/01/2007
SAFETY COVER (SqFt):	666	SCALE:	1/8" = 1'



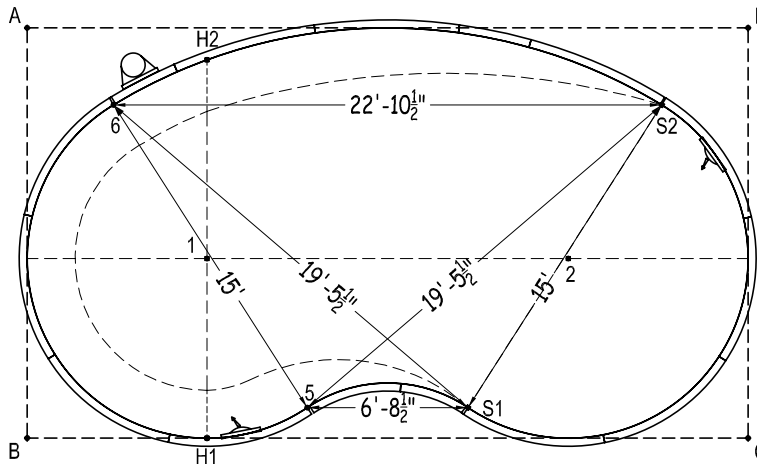
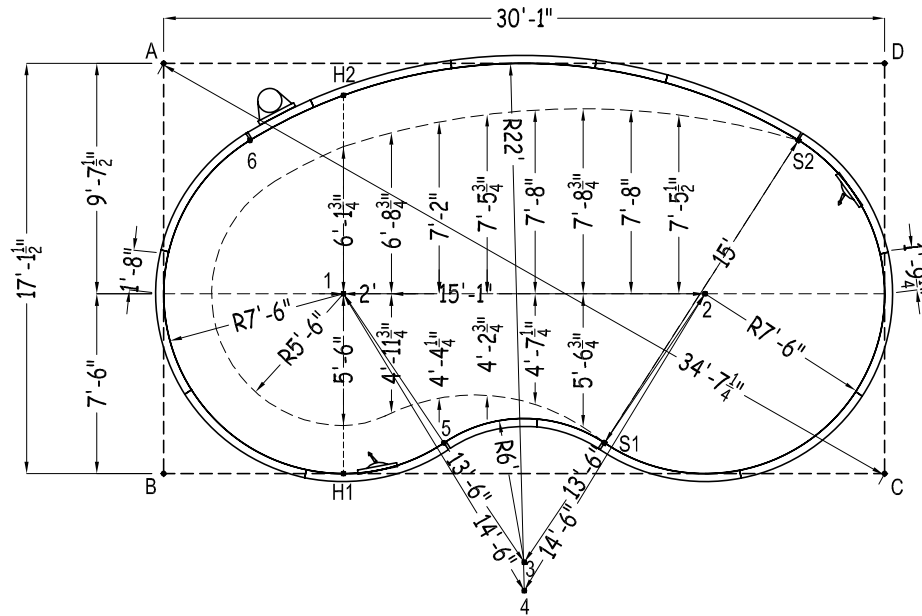
**NON-DIVING POOL**  
**USE OF DIVING EQUIPMENT IS PROHIBITED**

MEETS DEPTH AND SHAPE MINIMUM STANDARD ANSI/NSPI5-2003

**Kidney**

# 2007

No Step  
6' Step  
8' Step



3  
4

Part number	Description	Qty	Qty	Qty
02-CP06A-22	22R-6'	3	3	3
02-CP03A-22	22R-3'	1	1	1
02-CP06A-07M	7'6"R-6'	6	5	4
02-CI06A-07M	7'6"R-6' Inlet	2	2	2
02-CP04A-07M	7'6"R-4'	-	-	1
02-RP04A-06	B-4'	1	1	1
02-RP03A-06	B-3'	1	1	1
02-CK03A-00	3' Flex Skimmer	1	1	1
	6' Curve Step	-	1	-
	8' Kafko Curve Step	-	-	1
A-Frame	A-Frame Multiplier	15	15	15
15-0632-9	Optional Deck Supports	38	36	35

	A	B	C	D
1	12'-2 1/4"	10'-7 1/4"	23'-9 1/2"	24'-6 1/2"
2	24'-6 1/2"	23'-9 1/2"	10'-7 1/4"	12'-2 1/4"
3	25'-8 1/4"	15'-5 3/4"	15'-5 3/4"	25'-8 1/4"
4	26'-7 3/4"	15'-9 3/4"	15'-9 3/4"	26'-7 3/4"
5	19'-8 1/4"	11'-9"	18'-5 1/4"	24'-3 1/4"
6	4'-9 3/4"	14'-4 1/4"	29'-11"	26'-8 1/4"
H1	18'-8 1/4"	7'-6"	22'-7"	28'-4"
H2	7'-7 1/2"	17'-5 3/4"	27'-6 1/2"	22'-7 1/2"
S1	24'-3 1/4"	18'-5 1/4"	11'-9"	19'-8 1/4"
S2	26'-8 1/4"	29'-11"	14'-4 1/4"	4'-9 3/4"
A	-	17'-1 1/2"	34'-7 1/4"	30'-1"