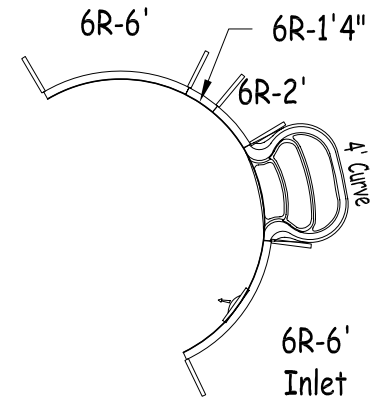
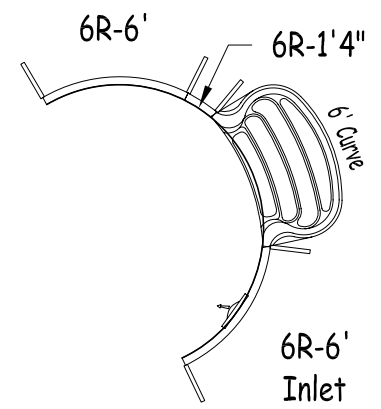


Steps Position



4' Step Option



6' Step Option

SHEET: 1 OF 2



Steel
Kidney 12' x 24' Right

DWG #: KACRS42-1224-6'H_07R	AREA (SqFt): 263	PERIMETER: 63'-1"
VOLUME (US Gal): 7 800	LINER AREA (SqFt): 290	DATE: 1/01/2007
VOLUME (Litres): 29 700	SAFETY COVER (SqFt): 445	SCALE: 1/8" = 1'



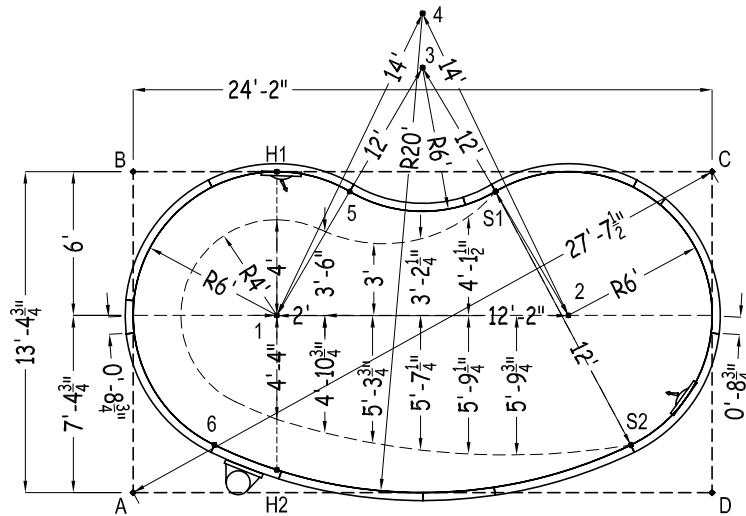
NON-DIVING POOL
USE OF DIVING EQUIPMENT IS PROHIBITED

MEETS DEPTH AND SHAPE MINIMUM STANDARD ANSI/NSPI5-2003

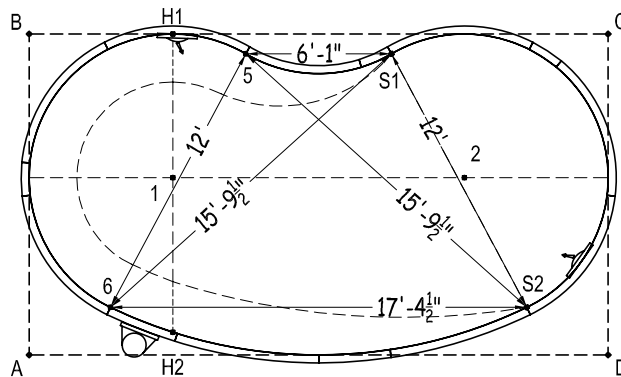
Kidney

2007

No Step
4' Step
6' Step



- 4
- 3



Part number	Description	Qty	Qty	Qty
02-CP06A-20	20R-6'	2	2	2
02-CP03A-20	20R-3'	1	1	1
02-CP02A-06	6R-2'	-	1	-
02-CP06A-06	6R-6'	4	3	3
02-CI06A-06	6R-6' Inlet	2	2	2
02-CP01I-06	6R-1'4"	2	2	2
02-RP05A-06	B-5'	1	1	1
02-RP01K-06	B-1'5"	1	1	1
02-CK03A-00	3' Flex Skimmer	1	1	1
	4' Curve Step	-	1	-
	6' Curve Step	-	-	1
A-Frame	A-Frame Multiplier	14	15	14
15-0632-9	Optional Deck Supports	31	30	29

	A	B	C	D
1	9'-6 1/4"	8'-5 3/4"	19'-1 1/2"	19'-7 1/4"
2	19'-7 1/4"	19'-1 1/2"	8'-5 3/4"	9'-6 1/4"
3	21'-5 1/2"	12'-10"	12'-10"	21'-5 1/2"
4	23'-4 1/2"	13'-9 1/4"	13'-9 1/4"	23'-4 1/2"
5	15'-5 3/4"	9'-1"	15'-1 3/4"	19'-8"
6	3'-11 1/4"	11'-10 3/4"	23'-8 1/2"	20'-10 1/2"
H1	14'-8"	6'	18'-2"	22'-6 3/4"
H2	6'-1"	13'-9 3/4"	22'-0 1/4"	18'-2 1/4"
S1	19'-8"	15'-1 3/4"	9'-1"	15'-5 3/4"
S2	20'-10 1/2"	23'-8 1/2"	11'-10 3/4"	3'-11 1/4"
A	-	13'-4 3/4"	27'-7 1/2"	24'-2"