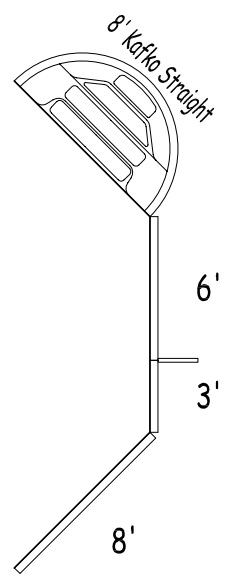


6' Step Option



8' Step Option



DWG #: KASES42-2040-8'H\_07

VOLUME (US Gal): 27 400

VOLUME (Litres): 103 800

Steel

**Grecian 20'-4" x 40'-4"**

AREA (SqFt):	755	PERIMETER:	108'
LINER AREA (SqFt):	819	DATE:	1/01/2007
SAFETY COVER (SqFt):	945	SCALE:	1/8" = 1'



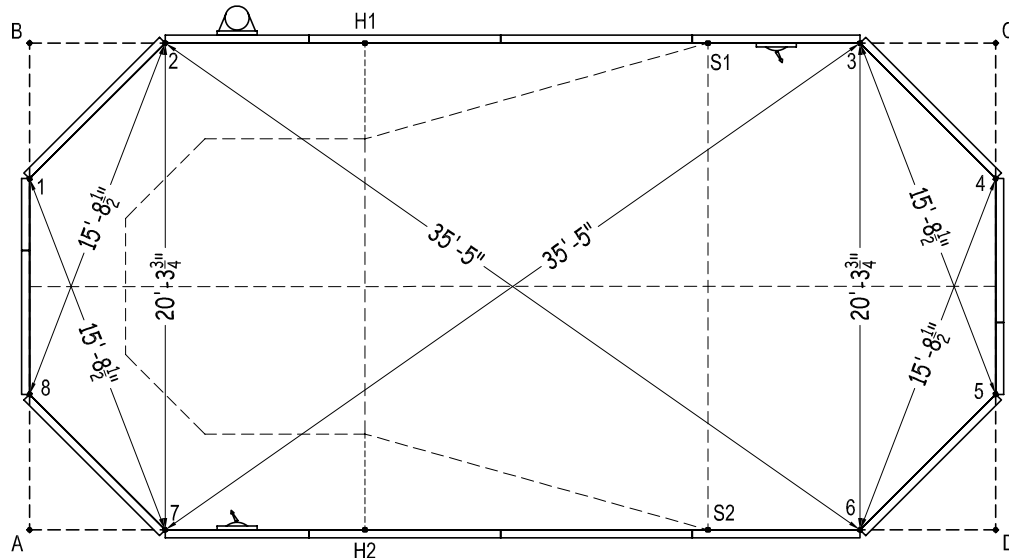
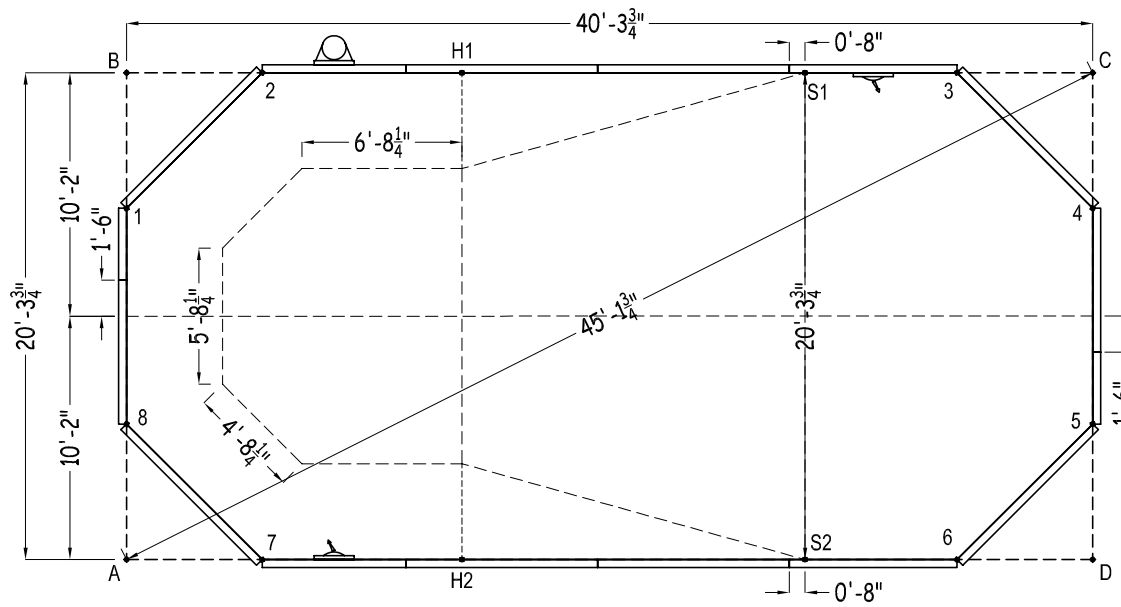
DIVING/SLIDING EQUIPMENT SHALL BE DESIGNED FOR SWIMMING POOLS AND SHALL BE INSTALLED IN ACCORDANCE WITH THE DIVING/SLIDING EQUIPMENT MANUFACTURER'S SPECIFICATIONS. PLEASE CONTACT THE DIVING/SLIDING EQUIPMENT MANUFACTURER FOR THEIR SPECIFICATIONS.

MEETS DEPTH AND SHAPE MINIMUM STANDARD ANSI/NSPI5-2003

**Grecian**

# 2007

No Step	6' Step	8' Step
---------	---------	---------



Part number	Description	Qty	Qty	Qty
02-SP08	8' Plain	8	7	7
02-SP07	7' Plain	1	1	1
02-SI07	7' Inlet	1	1	1
02-SP06	6' Plain	2	2	2
02-SS06	6' Skimmer	1	1	1
02-SI06	6' Inlet	1	1	1
02-SP03	3' Plain	2	2	2
02-SP01	1' Plain	-	2	-
	6' Straight Step	-	1	-
	8' Kafko Straight Step	-	-	1
A-Frame	A-Frame Multiplier	8	10	8
02-GF	45° Filler Angle	8	8	8
15-0632-9	Optional Deck Supports	60	59	57

	A	B	C	D
1	14'-8"	5'-8"	40'-8 1/2"	42'-10 3/4"
2	21'-1"	5'-8"	34'-8"	40'-2"
3	40'-2"	34'-8"	5'-8"	21'-1"
4	42'-10 3/4"	40'-8 1/2"	5'-8"	14'-8"
5	40'-8 1/2"	42'-10 3/4"	14'-8"	5'-8"
6	34'-8"	40'-2"	21'-1"	5'-8"
7	5'-8"	21'-1"	40'-2"	34'-8"
8	5'-8"	14'-8"	42'-10 3/4"	40'-8 1/2"
H1	24'-8"	14'	26'-3 3/4"	33'-3"
H2	14'	24'-8"	33'-3"	26'-3 3/4"
S1	34'-10 1/4"	28'-3 3/4"	12'	23'-7"
S2	28'-3 3/4"	34'-10 1/4"	23'-7"	12'
A	-	20'-3 3/4"	45'-1 3/4"	40'-3 3/4"