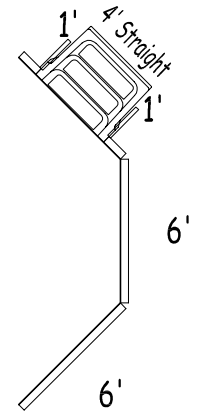
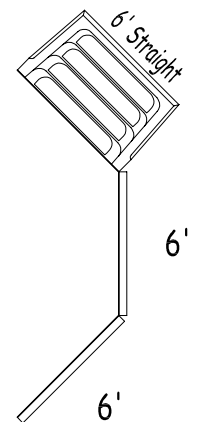


Steps Position

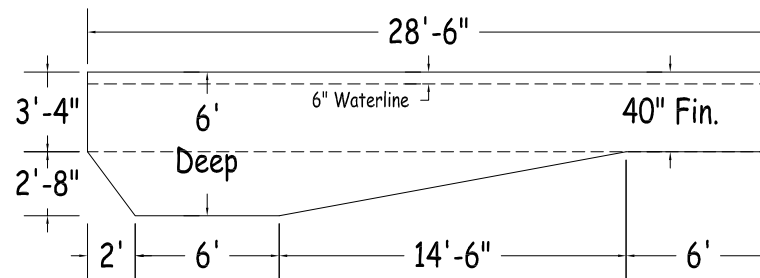
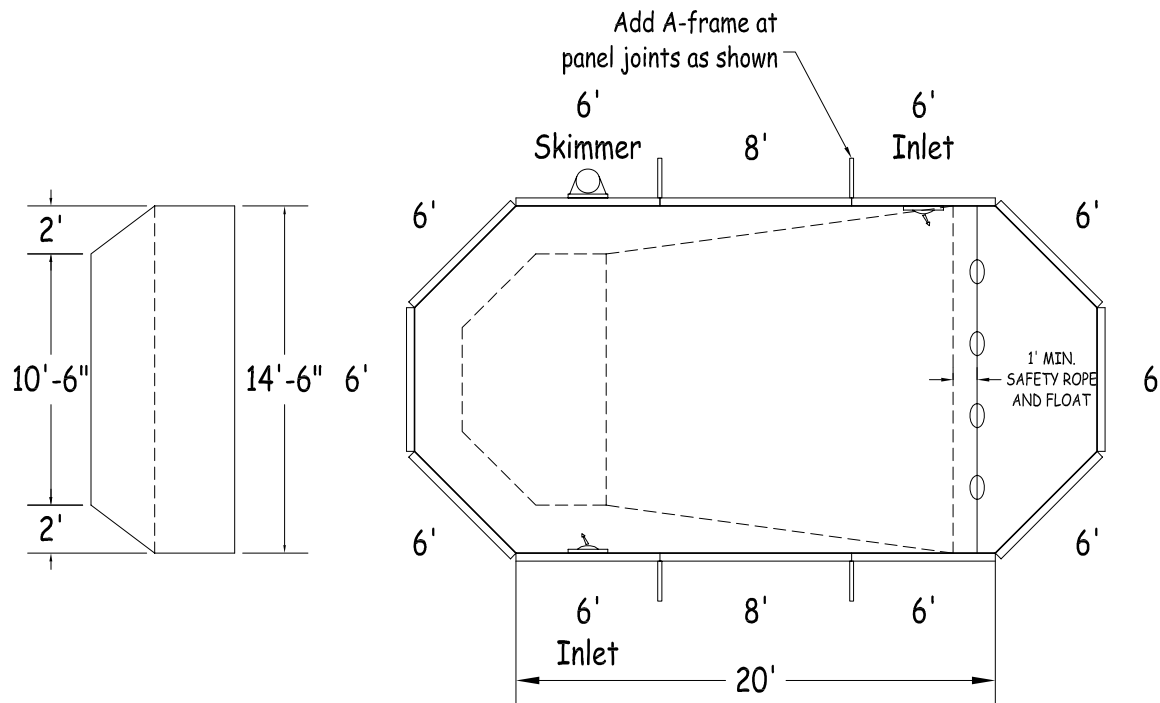


4' Step Option



6' Step Option

SHEET: 1 OF 2



Steel

Grecian 14'6" x 28'6"

DWG #:
KASES42-1428-6'H_07

VOLUME (US Gal): 11 600

VOLUME (Litres): 43 800

AREA (SqFt): 377

LINER AREA (SqFt): 413

SAFETY COVER (SqFt): 503

PERIMETER: 76'

DATE: 1/01/2007

SCALE: 1/8" = 1'



Feet First

**NON-DIVING
POOL**

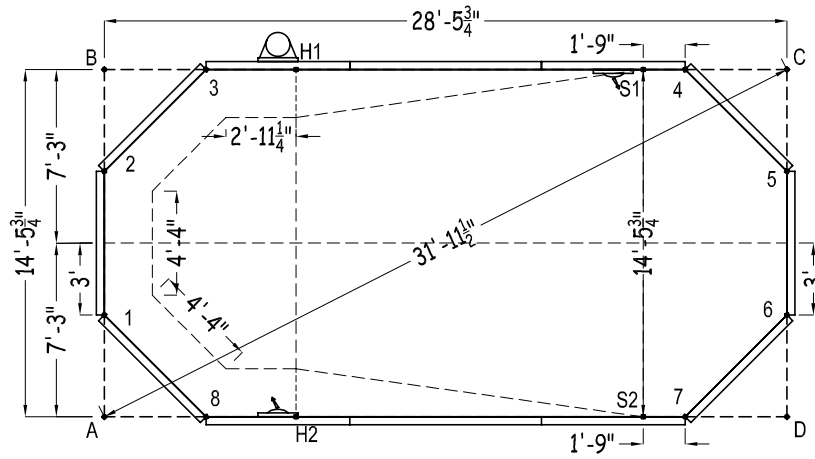
**USE OF DIVING
EQUIPMENT IS
PROHIBITED**

MEETS DEPTH AND SHAPE MINIMUM STANDARD ANSI/NSPI5-2003

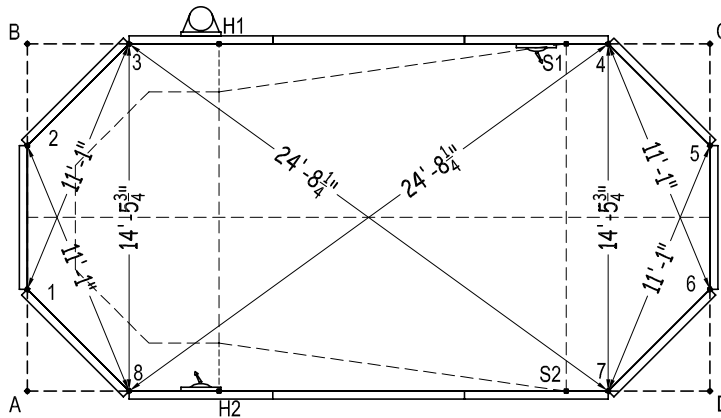
Grecian

2007

No Step
4' Step
6' Step



Part number	Description	Qty	Qty	Qty
02-SP08	8' Plain	2	2	2
02-SP06	6' Plain	7	6	6
02-SS06	6' Skimmer	1	1	1
02-SI06	6' Inlet	2	2	2
02-SP01	1' Plain	-	2	-
	4' Straight Step	-	1	-
	6' Straight Step	-	-	1
A-Frame	A-Frame Multiplier	4	6	4
02-GF	45° Filler Angle	8	8	8
15-0632-9	Optional Deck Supports	46	46	44



	A	B	C	D
1	4'-3"	10'-3"	30'-3 1/4"	28'-9 1/2"
2	10'-3"	4'-3"	28'-9 1/2"	30'-3 1/4"
3	15'-1 1/4"	4'-3"	24'-3"	28'-3"
4	28'-3"	24'-3"	4'-3"	15'-1 1/4"
5	30'-3 1/4"	28'-9 1/2"	4'-3"	10'-3"
6	28'-9 1/2"	30'-3 1/4"	10'-3"	4'-3"
7	24'-3"	28'-3"	15'-1 1/4"	4'-3"
8	4'-3"	15'-1 1/4"	28'-3"	24'-3"
H1	16'-6 1/2"	8'	20'-5 3/4"	25'-1"
H2	8'	16'-6 1/2"	25'-1"	20'-5 3/4"
S1	26'-9"	22'-5 3/4"	6'	15'-8 1/4"
S2	22'-5 3/4"	26'-9"	15'-8 1/4"	6'
A	-	14'-5 3/4"	31'-11 1/2"	28'-5 3/4"