

<b>KAFKO</b> POOL PRODUCTS		<b>JAMAICA 20' x 40' LEFT</b>	
STEEL	PERIMETER: 114'-4"	VOLUME (US Gal): 28 200	
DWG #: KAMS24S2040L10	AREA (SqFt): 770	VOLUME (Litres): 106 700	
PART#: MS24S2040	LINER AREA (SqFt): 798	DATE: 01/Jan/2010	
	SAFETY COVER (SqFt): 1016	SCALE: 1/8" = 1'-0"	



DIVING/SLIDING EQUIPMENT SHALL BE DESIGNED FOR SWIMMING POOLS AND SHALL BE INSTALLED IN ACCORDANCE WITH THE DIVING/SLIDING EQUIPMENT MANUFACTURER'S SPECIFICATIONS. PLEASE CONTACT THE DIVING/SLIDING EQUIPMENT MANUFACTURER FOR THEIR SPECIFICATIONS.

MEETS DEPTH AND SHAPE MINIMUM STANDARD ANSI/NSPI5-2003

**JAMAICA**

Step Option 2

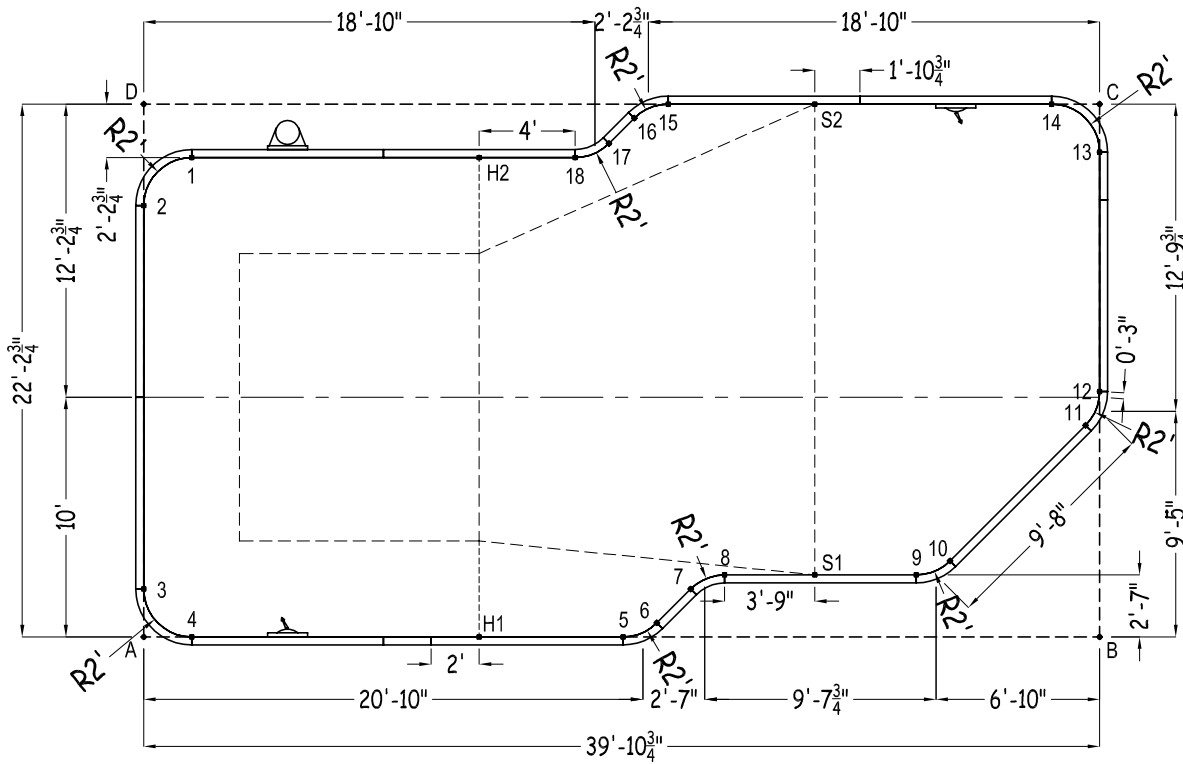
SHEET: 1 OF 2

Diagonals	6 To 16	21'-1"	11 To 14	13'-5 3/4"	
H1ToH2	20'	6 To 17	20'-1 1/4"	11 To 15	21'-11 3/4"
S2ToS1	19'-7 3/4"	6 To 18	19'-8 1/2"	12 To 14	12'-1 3/4"
H1ToS2	26'-3 1/4"	7 To 15	20'-3"		
S1ToH2	22'-4 1/4"	7 To 16	19'-9 1/2"		
1 To 3	18'-1 1/4"	7 To 17	18'-10 3/4"		
1 To 4	20'	8 To 14	23'-11"		
1 To 5	26'-11"	8 To 15	19'-9 1/2"		
1 To 9	34'-10 3/4"	8 To 16	19'-5 1/4"		
2 To 4	18'-1 1/4"	8 To 18	18'-6"		
4 To 14	42'-2 1/2"	9 To 14	20'-5 1/4"		
4 To 18	25'-7 1/4"	9 To 15	22'-2 1/2"		
5 To 15	22'-3 3/4"	10 To 13	18'-2"		
5 To 17	20'-7 1/4"	10 To 15	22'-4 3/4"		
5 To 18	20'-1 1/4"	11 To 13	11'-5"		

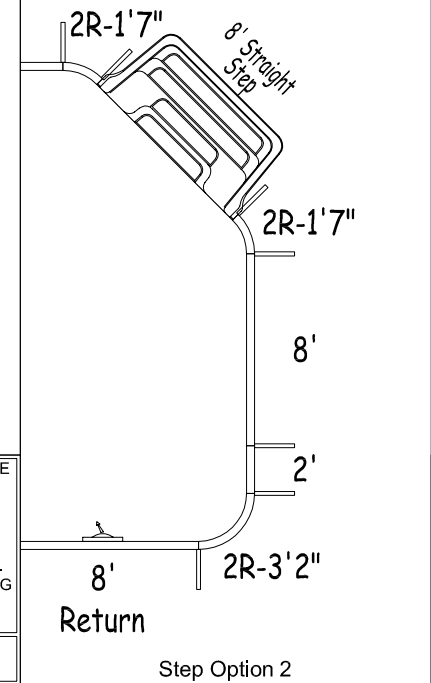
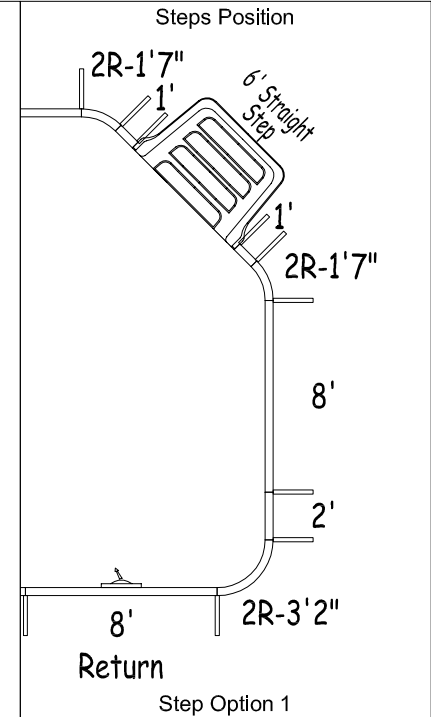
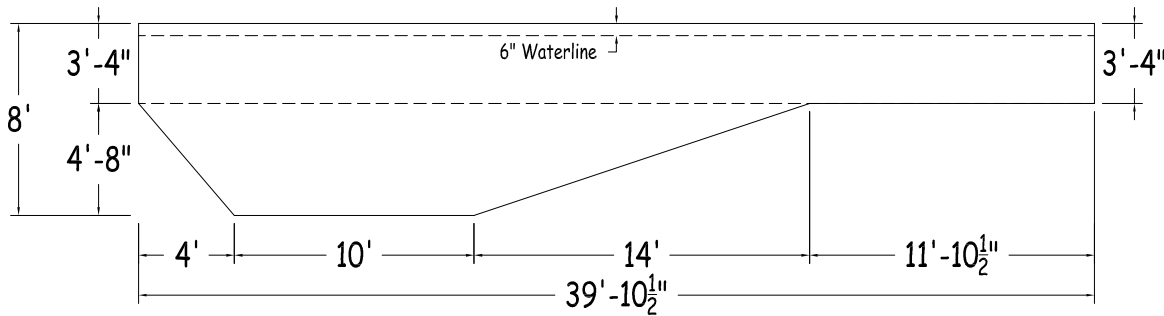
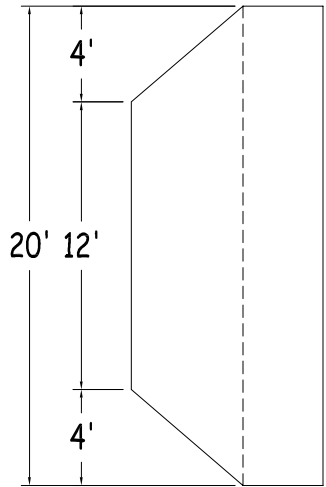
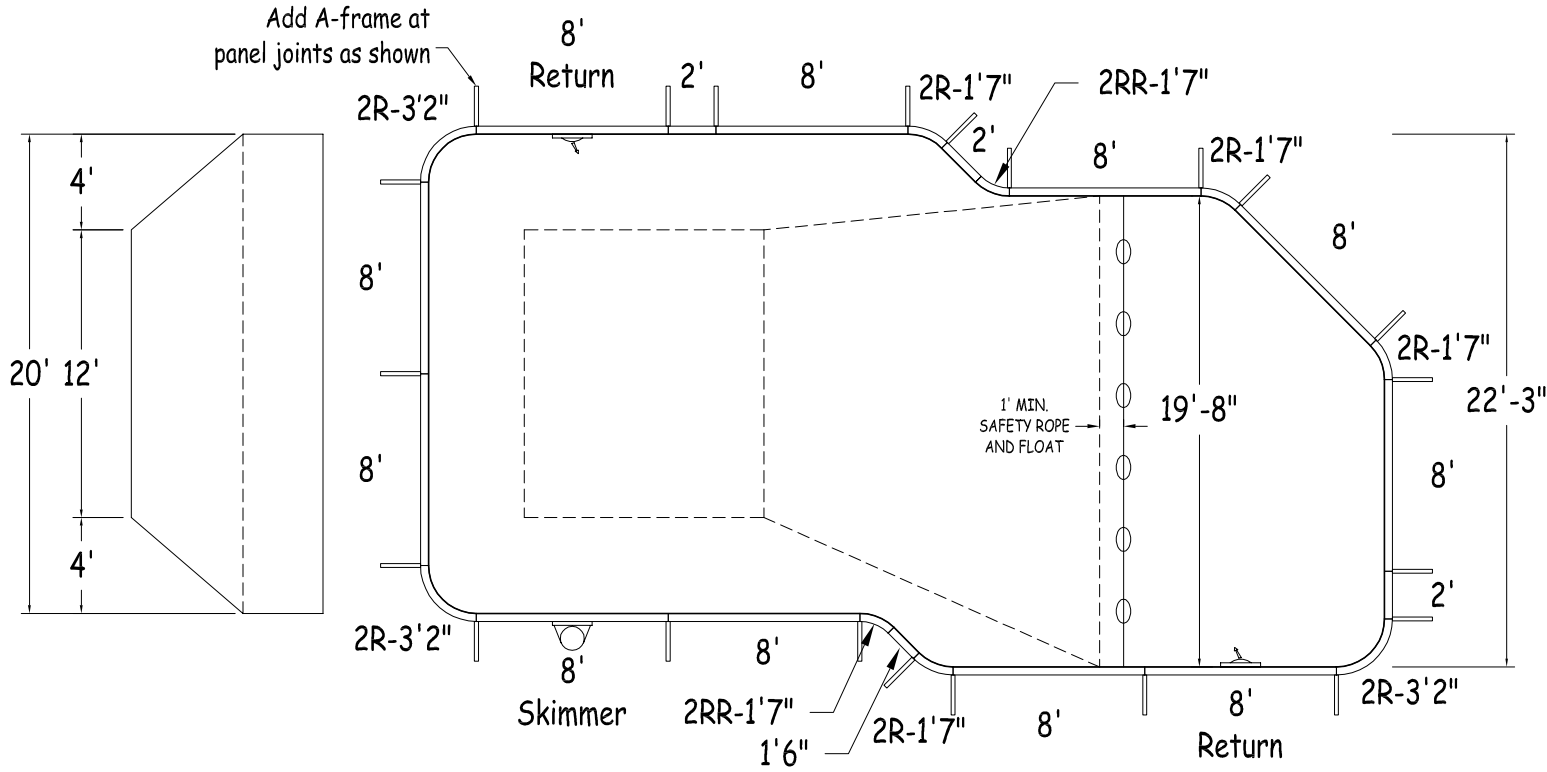
# 2010

No Step  
Option 1  
Option 2

Part number	Description	Qty	Qty	Qty
ST0960002X	8' Straight Plain	8	7	7
ST0960002*	8' Straight Skimmer	1	1	1
ST0960002*	8' Straight Return	2	2	2
ST0240000X	2' Straight Plain	3	3	3
ST0180000X	1'6" Straight Plain	1	1	1
ST0120000X	1' Straight Plain	-	2	-
CN0190240XX	2R-17"	4	4	4
CR0190240XX	2RR-17"	2	2	2
CN0380240XX	2R-3'2" Corner	3	3	3
XXX-XXX	Panel Brace	22	24	22
IPC-HDWSTRT150	Hardware, Straight 150 Pack	2	2	2
IPC-STKPK25	Rebar Stake, 18" 25 Pack	2	3	2
	6ft Straight Step	-	1	-
	8ft Straight Step	-	-	1



	A	B	C	D
1	20'-1 1/4"	42'-10"	37'-11 1/2"	3'
2	18'	43'-9 1/4"	40'-1 1/4"	4'-2 3/4"
3	2'	39'-11 1/4"	44'-8 3/4"	20'-2 3/4"
4	2'	37'-10 3/4"	43'-11 1/4"	22'-3 3/4"
5	20'	19'-10 3/4"	29'-10"	29'-10 3/4"
6	21'-5"	18'-5 3/4"	28'-5 1/2"	30'-5 1/2"
7	22'-11"	17'-2 1/4"	26'-5 1/2"	30'-6"
8	24'-4 1/2"	15'-10 1/4"	25'-1 1/2"	31'-2 1/2"
9	32'-4"	8'-1"	21'-1"	37'-9"
10	33'-9 1/2"	7'	20'-0 3/4"	38'-8"
11	40'-3 1/2"	8'-10 1/4"	13'-5"	41'-6 1/4"
12	41'-2 1/4"	10'-3"	12'	41'-7 3/4"
13	44'-8 3/4"	20'-2 3/4"	2'	39'-11 1/4"
14	43'-11 1/4"	22'-3 3/4"	2'	37'-10 3/4"
15	31'-2 1/2"	28'-7 1/4"	18'	21'-10 3/4"
16	29'-9 1/2"	29'-1"	19'-5"	20'-5 3/4"
17	28'-3 1/2"	29'-0 1/2"	20'-6 1/2"	19'-5 3/4"
18	26'-11"	29'-7 3/4"	22'	18'-1 3/4"
H1	14'	25'-10 3/4"	34'-1 1/2"	26'-3 1/4"
H2	24'-5"	32'-8 1/2"	25'-11 3/4"	14'-2"
S1	28'-1 1/2"	12'-2"	22'-11 1/2"	34'-2 1/2"
S2	35'-9"	25'-2 1/2"	11'-10 3/4"	28'
A	-	39'-10 3/4"	45'-8"	22'-2 3/4"



<b>KAFKO</b> POOL PRODUCTS	
STEEL	
DWG #:	KAMS24S2040R10
PART# :	MS24S2040

<b>JAMAICA 20' x 40' RIGHT</b>			
PERIMETER:	114'-4"	VOLUME (US Gal):	28 200
AREA (SqFt):	770	VOLUME (Litres):	106 700
LINER AREA (SqFt):	798	DATE:	01/Jan/2010
SAFETY COVER (SqFt):	1016	SCALE:	1/8" = 1'-0"



DIVING/SLIDING EQUIPMENT SHALL BE DESIGNED FOR SWIMMING POOLS AND SHALL BE INSTALLED IN ACCORDANCE WITH THE DIVING/SLIDING EQUIPMENT MANUFACTURER'S SPECIFICATIONS. PLEASE CONTACT THE DIVING/SLIDING EQUIPMENT MANUFACTURER FOR THEIR SPECIFICATIONS.

MEETS DEPTH AND SHAPE MINIMUM STANDARD ANSI/NSPI5-2003

**JAMAICA**

Step Option 2

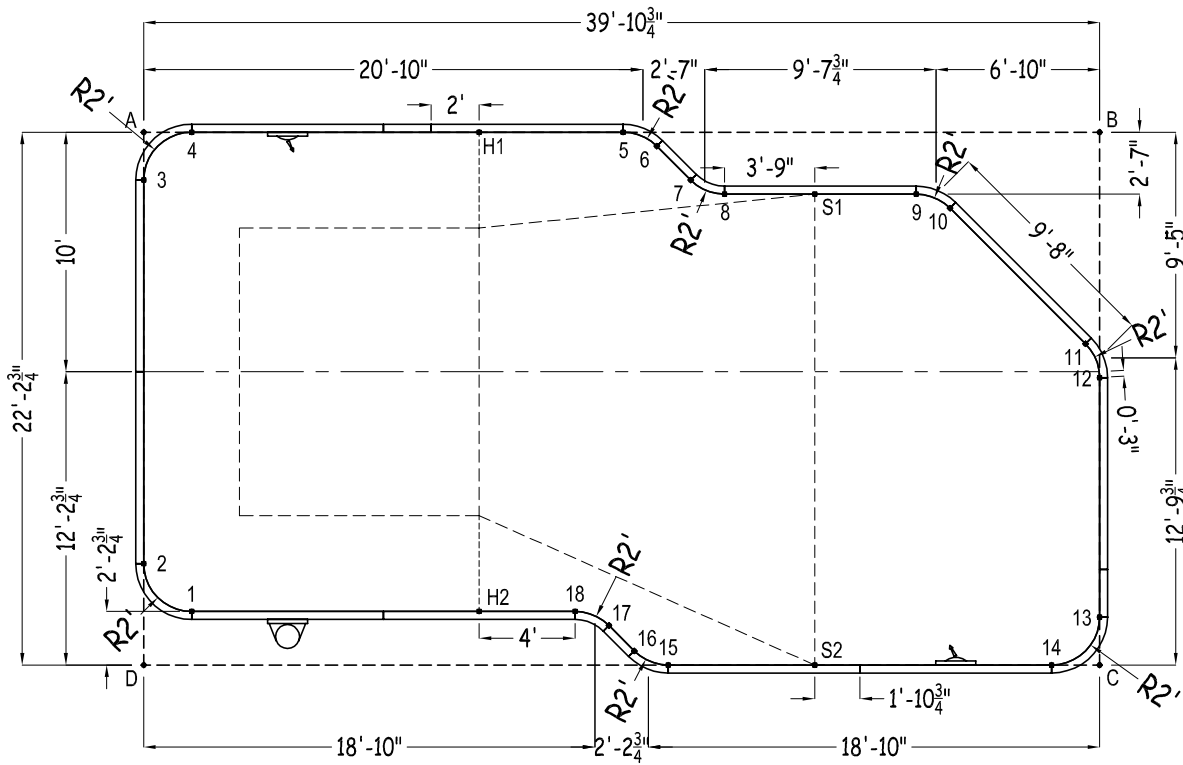
SHEET: 1 OF 2

Diagonals	6 To 16	21'-1"	11 To 14	13'-5 3/4"	
H1ToH2	20'	6 To 17	20'-1 1/4"	11 To 15	21'-11 3/4"
S2ToS1	19'-7 3/4"	6 To 18	19'-8 1/2"	12 To 14	12'-1 3/4"
H1ToS2	26'-3 1/4"	7 To 15	20'-3"		
S1ToH2	22'-4 1/4"	7 To 16	19'-9 1/2"		
1 To 3	18'-1 1/4"	7 To 17	18'-10 3/4"		
1 To 4	20'	8 To 14	23'-11"		
1 To 5	26'-11"	8 To 15	19'-9 1/2"		
1 To 9	34'-10 3/4"	8 To 16	19'-5 1/4"		
2 To 4	18'-1 1/4"	8 To 18	18'-6"		
4 To 14	42'-2 1/2"	9 To 14	20'-5 1/4"		
4 To 18	25'-7 1/4"	9 To 15	22'-2 1/2"		
5 To 15	22'-3 3/4"	10 To 13	18'-2"		
5 To 17	20'-7 1/4"	10 To 15	22'-4 3/4"		
5 To 18	20'-1 1/4"	11 To 13	11'-5"		

# 2010

No Step  
Option 1  
Option 2

Part number	Description	Qty	Qty	Qty
ST0960002X	8' Straight Plain	8	7	7
ST0960002*	8' Straight Skimmer	1	1	1
ST0960002*	8' Straight Return	2	2	2
ST0240000X	2' Straight Plain	3	3	3
ST0180000X	1'6" Straight Plain	1	1	1
ST0120000X	1' Straight Plain	-	2	-
CR0190240XX	2RR-17"	2	2	2
CN0190240XX	2R-17"	4	4	4
CN0380240XX	2R-3'2" Corner	3	3	3
XXX-XXX	Panel Brace	22	24	22
IPC-HDWSTRT150	Hardware, Straight 150 Pack	2	2	2
IPC-STKPK25	Rebar Stake, 18" 25 Pack	2	3	2
	6ft Straight Step	-	1	-
	8ft Straight Step	-	-	1



	A	B	C	D
1	20'-1 1/4"	42'-10"	37'-11 1/2"	3'
2	18'	43'-9 1/4"	40'-1 1/4"	4'-2 3/4"
3	2'	39'-11 1/4"	44'-8 3/4"	20'-2 3/4"
4	2'	37'-10 3/4"	43'-11 1/4"	22'-3 3/4"
5	20'	19'-10 3/4"	29'-10"	29'-10 3/4"
6	21'-5"	18'-5 3/4"	28'-5 1/2"	30'-5 1/2"
7	22'-11"	17'-2 1/4"	26'-5 1/2"	30'-6"
8	24'-4 1/2"	15'-10 1/4"	25'-1 1/2"	31'-2 1/2"
9	32'-4"	8'-1"	21'-1"	37'-9"
10	33'-9 1/2"	7'	20'-0 3/4"	38'-8"
11	40'-3 1/2"	8'-10 1/4"	13'-5"	41'-6 1/4"
12	41'-2 1/4"	10'-3"	12'	41'-7 3/4"
13	44'-8 3/4"	20'-2 3/4"	2'	39'-11 1/4"
14	43'-11 1/4"	22'-3 3/4"	2'	37'-10 3/4"
15	31'-2 1/2"	28'-7 1/4"	18'	21'-10 3/4"
16	29'-9 1/2"	29'-1"	19'-5"	20'-5 3/4"
17	28'-3 1/2"	29'-0 1/2"	20'-6 1/2"	19'-5 3/4"
18	26'-11"	29'-7 3/4"	22'	18'-1 3/4"
H1	14'	25'-10 3/4"	34'-1 1/2"	26'-3 1/4"
H2	24'-5"	32'-8 1/2"	25'-11 3/4"	14'-2"
S1	28'-1 1/2"	12'-2"	22'-11 1/2"	34'-2 1/2"
S2	35'-9"	25'-2 1/2"	11'-10 3/4"	28'
A	-	39'-10 3/4"	45'-8"	22'-2 3/4"