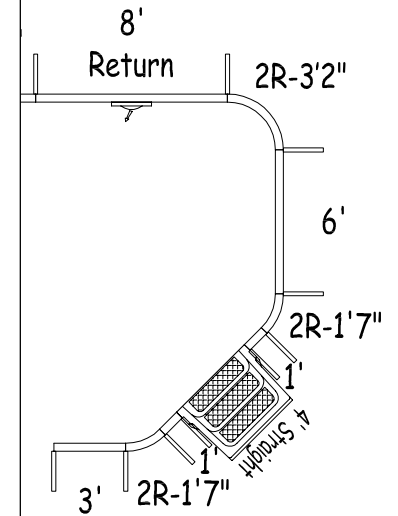
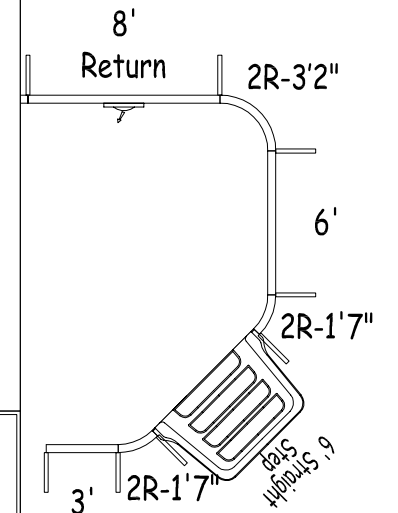


Steps Position



Step Option 1



Step Option 2

SHEET: 1 OF 2



KAFKO POOL PRODUCTS		JAMAICA 14' x 28' LEFT	
STEEL	PERIMETER: 79'-6"	VOLUME (US Gal): 10 900	
DWG #: KAMS24S1428L10	AREA (SqFt): 382	VOLUME (Litres): 41 400	
PART#: MS24S1428	LINER AREA (SqFt): 390	DATE: 01/Jan/2010	
	SAFETY COVER (SqFt): 545	SCALE: 1/8" = 1'-0"	

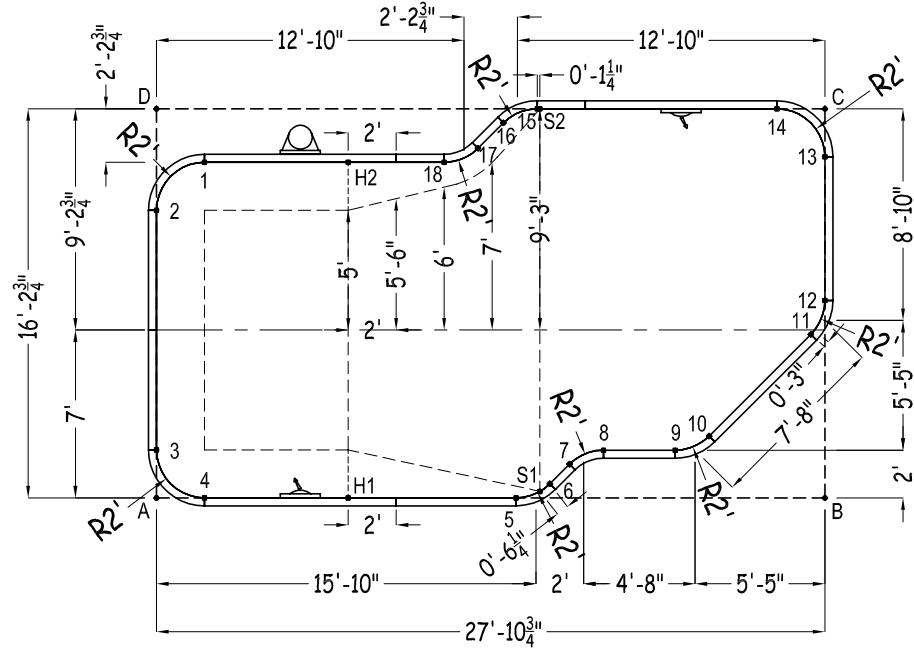


NON-DIVING POOL
USE OF DIVING EQUIPMENT IS PROHIBITED

MEETS DEPTH AND SHAPE MINIMUM STANDARD ANSI/NSPI5-2003

JAMAICA

Diagonals	6 To 16	15'-2 1/4"	11 To 14	9'-6 1/4"
S1 To S2	6 To 17	14'-3 3/4"	11 To 15	14'-9 1/2"
S2 To H1	6 To 18	14'-1 1/2"	12 To 14	8'-3"
H1 To H2	7 To 15	14'-10 3/4"		
H2 To S1	7 To 16	14'-6"		
1 To 3	7 To 17	13'-8 3/4"		
1 To 4	8 To 14	15'-11 3/4"		
1 To 5	8 To 15	14'-6"		
1 To 9	8 To 16	14'-3 1/4"		
2 To 4	8 To 18	13'-8 3/4"		
4 To 14	9 To 14	14'-10 1/4"		
4 To 18	9 To 15	15'-4 1/4"		
5 To 15	10 To 14	13'-11 1/4"		
5 To 17	10 To 15	15'-5"		
5 To 18	11 To 13	7'-5 1/4"		

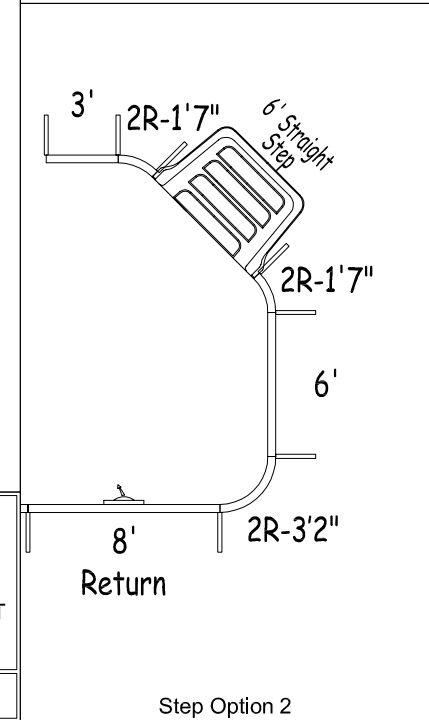
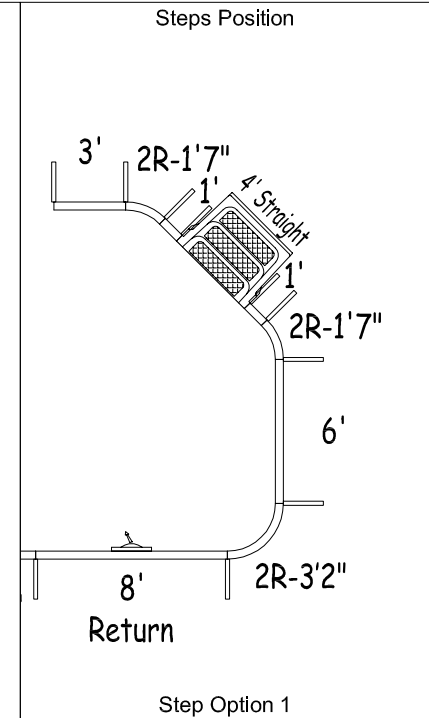
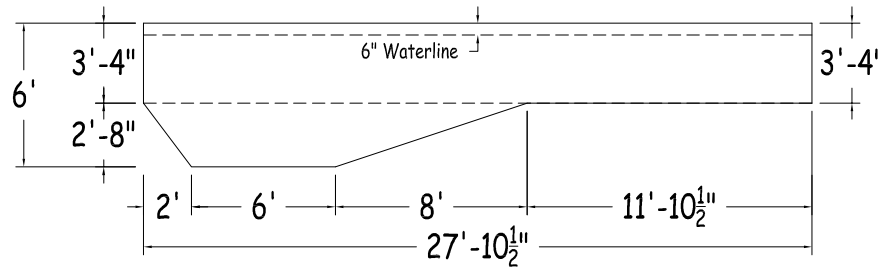
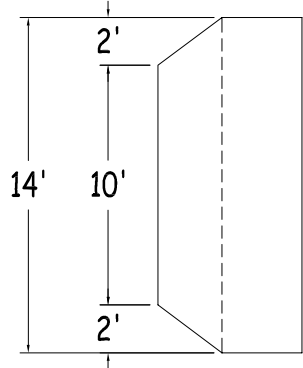
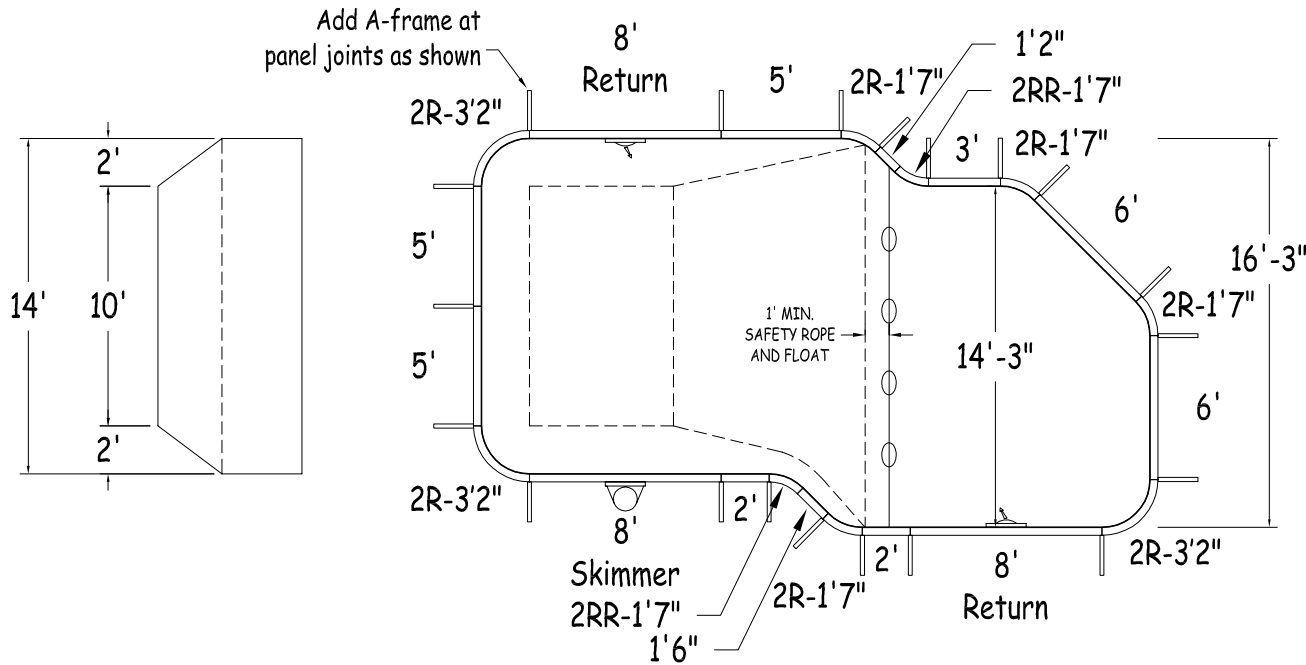


2010

No Step
Option 1
Option 2

Part number	Description	Qty	Qty	Qty
ST0960002*	8' Straight Skimmer	1	1	1
ST0960002*	8' Straight Return	2	2	2
ST0720001X	6' Straight Plain	2	1	1
ST0600001X	5' Straight Plain	3	3	3
ST0360000X	3' Straight Plain	1	1	1
ST0240000X	2' Straight Plain	2	2	2
ST0180000X	1'6" Straight Plain	1	1	1
ST0140000X	1'2" Straight Plain	1	1	1
ST0120000X	1' Straight Plain	-	2	-
CN0190240XX	2R-1'7"	4	4	4
CR0190240XX	2RR-1'7"	2	2	2
CN0380240XX	2R-3'2" Corner	3	3	3
XXX-XXX	Panel Brace	20	22	20
IPC-HDWSTRT150	Hardware, Straight 150 Pack	2	2	2
IPC-STKPK25	Rebar Stake, 18" 25 Pack	2	2	2
	4ft Straight Step	-	1	-
	6ft Straight Step	-	-	1

	A	B	C	D
1	14'-1 3/4"	29'-5 1/4"	25'-11 3/4"	3'
2	12'	30'-4 1/4"	28'-2 1/2"	4'-2 3/4"
3	2'	27'-11 1/2"	31'-3 3/4"	14'-2 3/4"
4	2'	25'-10 3/4"	30'-6 3/4"	16'-4 1/4"
5	15'	12'-10 3/4"	20'-8 3/4"	22'-1 1/4"
6	16'-5"	11'-6"	19'-4 3/4"	22'-8"
7	17'-3 1/2"	10'-9"	18'-3 1/4"	22'-8 3/4"
8	18'-9"	9'-5 1/2"	16'-11 3/4"	23'-5 1/2"
9	21'-8 3/4"	6'-6 1/2"	15'-6 1/2"	25'-11"
10	23'-2 1/2"	5'-5 3/4"	14'-5 3/4"	26'-9 1/2"
11	28'-1 3/4"	6'-10"	9'-5 1/4"	28'-10 1/2"
12	29'-1"	8'-2 3/4"	8'	29'-0 1/4"
13	31'-3 3/4"	14'-2 3/4"	2'	27'-11 1/2"
14	30'-6 3/4"	16'-4 1/4"	2'	25'-10 3/4"
15	22'-8 1/2"	20'-2 1/4"	12'	15'-10 3/4"
16	21'-3 3/4"	20'-7 1/4"	13'-5"	14'-5 3/4"
17	19'-9 3/4"	20'-6 1/2"	14'-6 3/4"	13'-6 1/4"
18	18'-5 1/4"	21'-2"	16'-0 1/2"	12'-2 1/2"
H1	8'	19'-10 3/4"	25'-8"	18'-1 1/4"
H2	16'-1 1/2"	24'-3 3/4"	20'-0 1/4"	8'-3 3/4"
S1	16'	11'-10 3/4"	19'-10 3/4"	22'-7 1/4"
S2	22'-9 1/2"	20'-1 1/2"	11'-10 3/4"	16'
A	-	27'-10 3/4"	32'-3 1/4"	16'-2 3/4"



KAFKO POOL PRODUCTS		JAMAICA 14' x 28' RIGHT	
STEEL	PERIMETER:	79'-6"	VOLUME (US Gal): 10 900
DWG #:	AREA (SqFt):	382	VOLUME (Litres): 41 400
KAMS24S1428R10	LINER AREA (SqFt):	390	DATE: 01/Jan/2010
PART# :	SAFETY COVER (SqFt):	545	SCALE: 1/8" = 1'-0"
MS24S1428			

NON-DIVING POOL
USE OF DIVING EQUIPMENT IS PROHIBITED

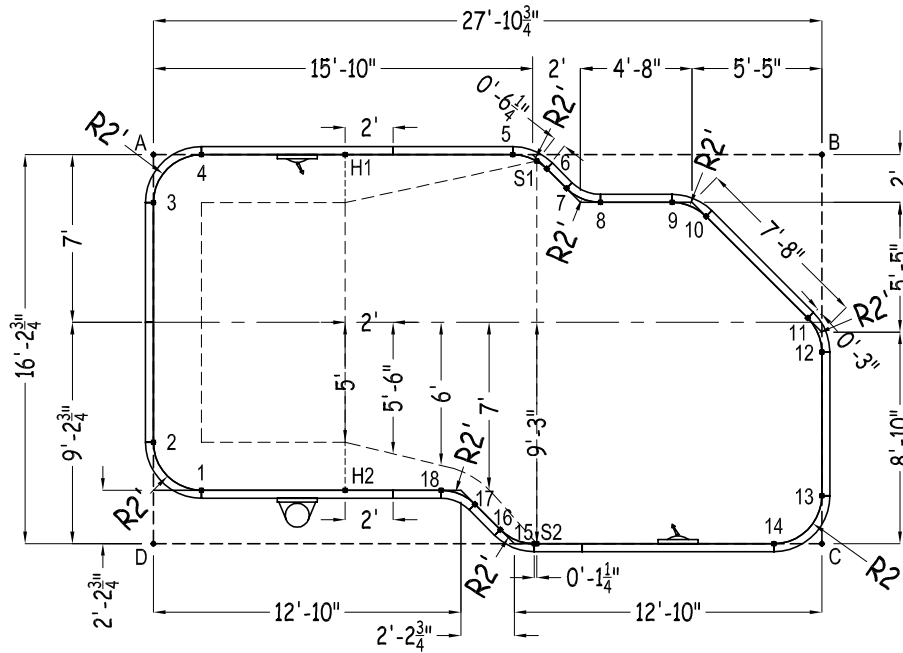
MEETS DEPTH AND SHAPE MINIMUM STANDARD ANSI/NSPI5-2003

JAMAICA

Step Option 2

SHEET: 1 OF 2

Diagonals	6 To 16	15'-2 1/4"	11 To 14	9'-6 1/4"	
S1 To S2	15'-11 1/2"	6 To 17	14'-3 3/4"	11 To 15	14'-9 1/2"
S2 To H1	18'-1 1/4"	6 To 18	14'-1 1/2"	12 To 14	8'-3"
H1 To H2	14'	7 To 15	14'-10 3/4"		
H2 To S1	15'-10 3/4"	7 To 16	14'-6"		
1 To 3	12'-2"	7 To 17	13'-8 3/4"		
1 To 4	14'	8 To 14	15'-11 3/4"		
1 To 5	19'-1 1/4"	8 To 15	14'-6"		
1 To 9	23'-0 1/4"	8 To 16	14'-3 1/4"		
2 To 4	12'-2"	8 To 18	13'-8 3/4"		
4 To 14	28'-10 1/2"	9 To 14	14'-10 1/4"		
4 To 18	17'-2 1/2"	9 To 15	15'-4 1/4"		
5 To 15	16'-3"	10 To 14	13'-11 1/4"		
5 To 17	14'-8"	10 To 15	15'-5"		
5 To 18	14'-3 3/4"	11 To 13	7'-5 1/4"		



		2010		
		No Step	Option 1	Option 2
Part number	2010	Qty	Qty	Qty
ST0960002*	8' Straight Skimmer	1	1	1
ST0960002*	8' Straight Return	2	2	2
ST0720001X	6' Straight Plain	2	1	1
ST0600001X	5' Straight Plain	3	3	3
ST0360000X	3' Straight Plain	1	1	1
ST0240000X	2' Straight Plain	2	2	2
ST0180000X	1'6" Straight Plain	1	1	1
ST0140000X	1'2" Straight Plain	1	1	1
ST0120000X	1' Straight Plain	-	2	-
CR0190240XX	2RR-1'7"	2	2	2
CN0190240XX	2R-1'7"	4	4	4
CN0380240XX	2R-3'2" Corner	3	3	3
XXX-XXX	Panel Brace	20	22	20
IPC-HDWSTRT150	Hardware, Straight 150 Pack	2	2	2
IPC-STKPK25	Rebar Stake, 18" 25 Pack	2	2	2
	4ft Straight Step	-	1	-
	6ft Straight Step	-	-	1

	A	B	C	D
1	14'-1 3/4"	29'-5 1/4"	25'-11 3/4"	3'
2	12'	30'-4 1/4"	28'-2 1/2"	4'-2 3/4"
3	2'	27'-11 1/2"	31'-3 3/4"	14'-2 3/4"
4	2'	25'-10 3/4"	30'-6 3/4"	16'-4 1/4"
5	15'	12'-10 3/4"	20'-8 3/4"	22'-1 1/4"
6	16'-5"	11'-6"	19'-4 3/4"	22'-8"
7	17'-3 1/2"	10'-9"	18'-3 1/4"	22'-8 3/4"
8	18'-9"	9'-5 1/2"	16'-11 3/4"	23'-5 1/2"
9	21'-8 3/4"	6'-6 1/2"	15'-6 1/2"	25'-11"
10	23'-2 1/2"	5'-5 3/4"	14'-5 3/4"	26'-9 1/2"
11	28'-1 3/4"	6'-10"	9'-5 1/4"	28'-10 1/2"
12	29'-1"	8'-2 3/4"	8'	29'-0 1/4"
13	31'-3 3/4"	14'-2 3/4"	2'	27'-11 1/2"
14	30'-6 3/4"	16'-4 1/4"	2'	25'-10 3/4"
15	22'-8 1/2"	20'-2 1/4"	12'	15'-10 3/4"
16	21'-3 3/4"	20'-7 1/4"	13'-5"	14'-5 3/4"
17	19'-9 3/4"	20'-6 1/2"	14'-6 3/4"	13'-6 1/4"
18	18'-5 1/4"	21'-2"	16'-0 1/2"	12'-2 1/2"
H1	8'	19'-10 3/4"	25'-8"	18'-1 1/4"
H2	16'-1 1/2"	24'-3 3/4"	20'-0 1/4"	8'-3 3/4"
S1	16'	11'-10 3/4"	19'-10 3/4"	22'-7 1/4"
S2	22'-9 1/2"	20'-1 1/2"	11'-10 3/4"	16'
A	-	27'-10 3/4"	32'-3 1/4"	16'-2 3/4"