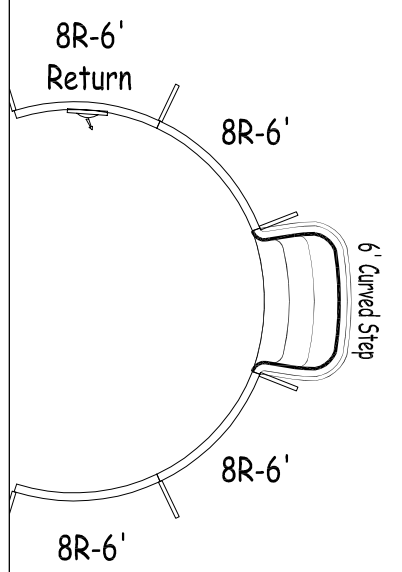
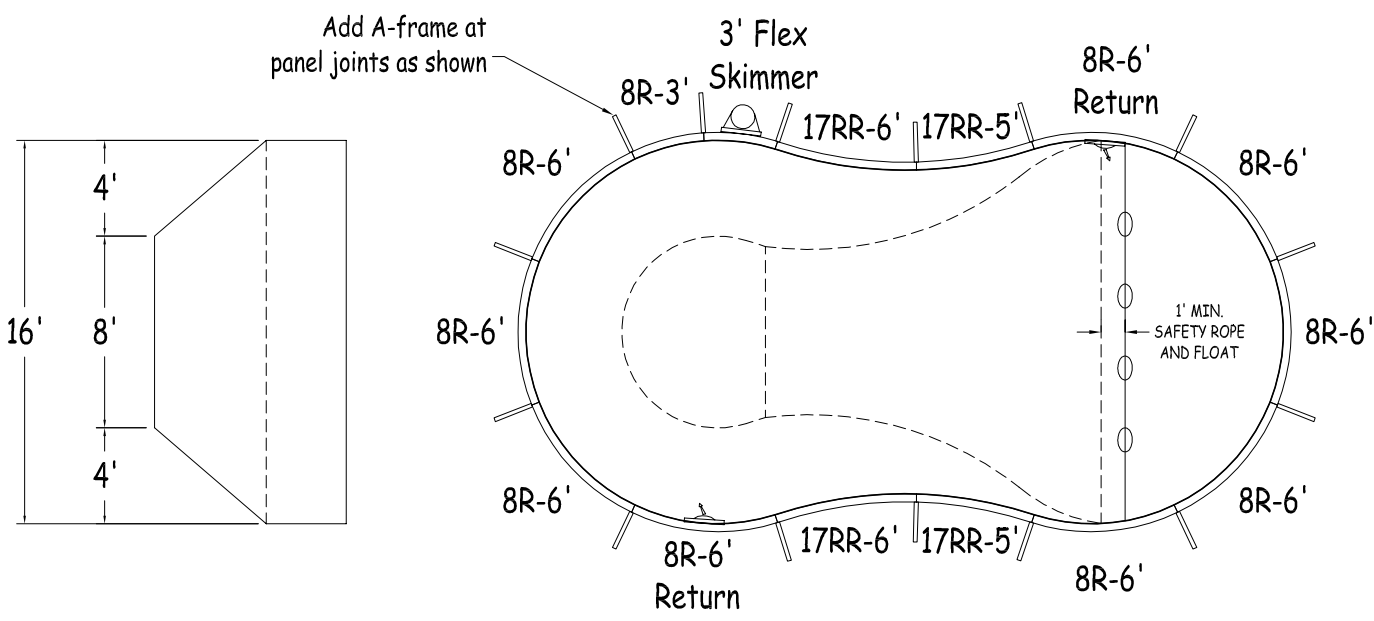
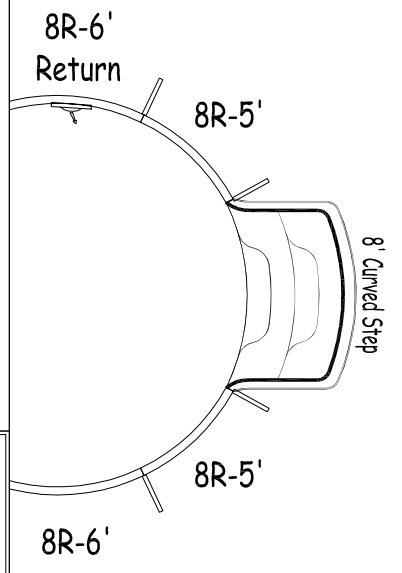
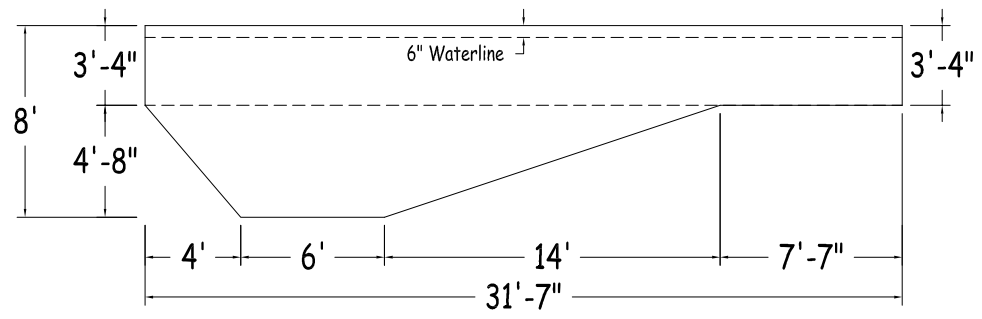


Steps Position



Step Option 1



Step Option 2

SHEET: 1 OF 2



KAFKO POOL PRODUCTS		FIGURE 8 16' x 32'	
STEEL	PERIMETER:	82'	VOLUME (US Gal): 15 600
DWG #: KAF800S1632-10	AREA (SqFt):	429	VOLUME (Litres): 59 200
PART# : F800S1632	LINER AREA (SqFt):	505	DATE: 01/Jan/2010
	SAFETY COVER (SqFt):	657	SCALE: 1/8" = 1'-0"

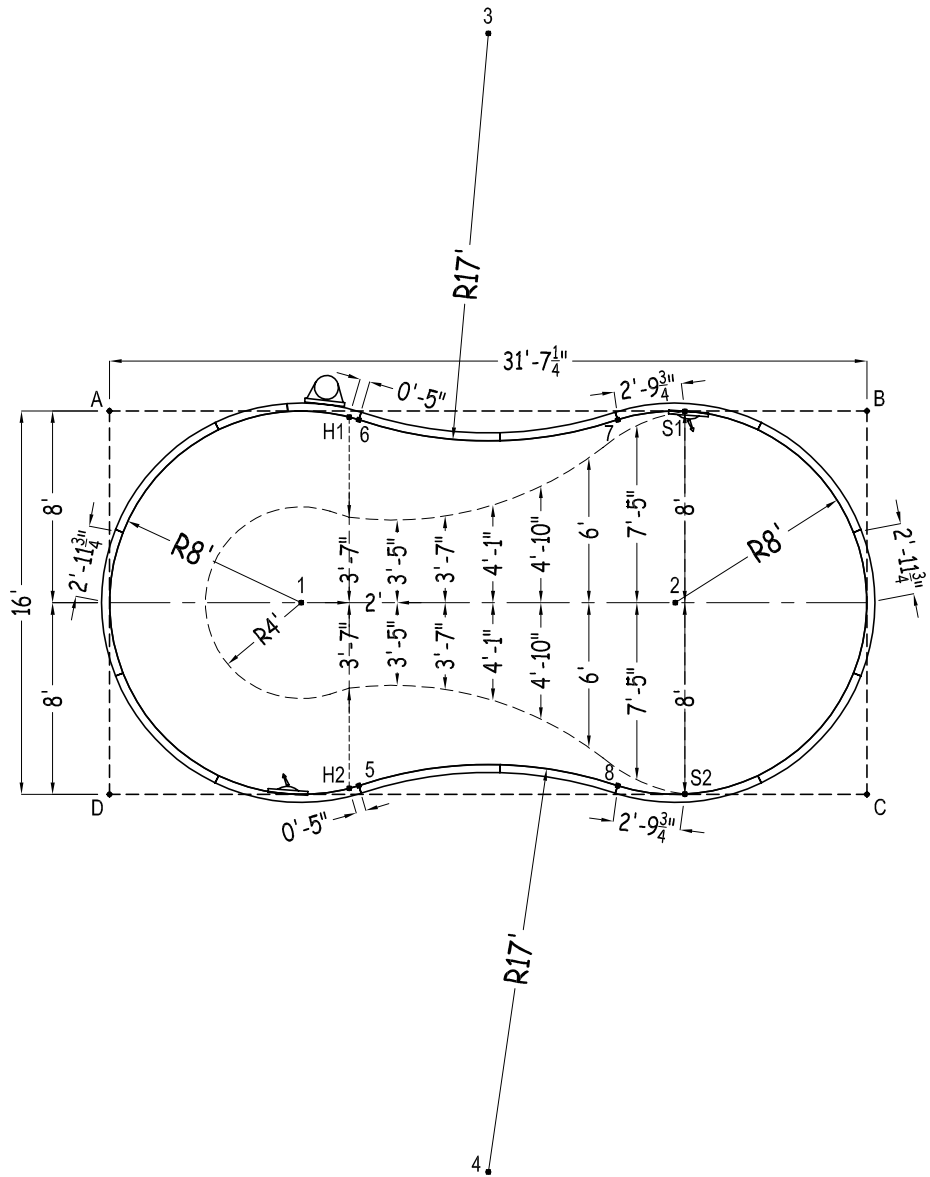
Feet First

DIVING/SLIDING EQUIPMENT SHALL BE DESIGNED FOR SWIMMING POOLS AND SHALL BE INSTALLED IN ACCORDANCE WITH THE DIVING/SLIDING EQUIPMENT MANUFACTURER'S SPECIFICATIONS. PLEASE CONTACT THE DIVING/SLIDING EQUIPMENT MANUFACTURER FOR THEIR SPECIFICATIONS.

MEETS DEPTH AND SHAPE MINIMUM STANDARD ANSI/NSPI5-2003

FIGURE 8

Center To Center	
1 To 2	15'-7 1/4"
1 To 3	25'
1 To 4	25'
2 To 3	25'
2 To 4	25'
Diagonals	
S1 To S2	15'-11 3/4"
H2 To H1	15'-6"
H1 To S2	21'-0 3/4"
S1 To H2	21'-0 3/4"
5 To 6	15'-3 1/4"
5 To 7	18'-8 1/2"
6 To 8	18'-8 1/2"
7 To 8	15'-3 1/4"



2010

No Step
Option 1
Option 2

Part number	Description	Qty	Qty	Qty	
RA0720961X	8R-6' Plain		7	6	4
RA0720961*	8R-6' Return		2	2	2
RA0600961X	8R-5' Plain		-	-	2
RA0360960X	8R-3' Plain		1	1	1
RA036FLX0*	3' Flex Skimmer		1	1	1
RR0722041X	17RR-6' Plain		2	2	2
RR0602041X	17RR-5' Plain		2	2	2
XXX-XXX	Panel Brace		15	15	15
IPC-HDWSTRT150	Hardware, Straight 150 Pack		1	1	1
IPC-STKPK25	Rebar Stake, 18" 25 Pack		2	2	2
	6ft Curved Step		-	1	-
	8ft Curved Step		-	-	1

	A	B	C	D
1	11'-3 3/4"	24'-11"	24'-11"	11'-3 3/4"
2	24'-11"	11'-3 3/4"	11'-3 3/4"	24'-11"
3	22'-3 3/4"	22'-3 3/4"	35'-5 1/2"	35'-5 1/2"
4	35'-5 1/2"	35'-5 1/2"	22'-3 3/4"	22'-3 3/4"
5	18'-9 1/4"	26'-4 1/4"	21'-2 1/2"	10'-4 3/4"
6	10'-4 3/4"	21'-2 1/2"	26'-4 1/4"	18'-9 1/4"
7	21'-2 1/2"	10'-4 3/4"	18'-9 1/4"	26'-4 1/4"
8	26'-4 1/4"	18'-9 1/4"	10'-4 3/4"	21'-2 1/2"
H1	10'	21'-7 1/4"	26'-8 3/4"	18'-7 3/4"
H2	18'-7 3/4"	26'-8 3/4"	21'-7 1/4"	10'
S1	24'	7'-7 1/4"	17'-8 1/2"	28'-10"
S2	28'-10"	17'-8 1/2"	7'-7 1/4"	24'
A	-	31'-7 1/4"	35'-5"	16'

FIGURE 8 16' x 32'

DWG #: KAF800S1632-10

DATE: 01/Jan/2010

SHEET: 2 OF 2