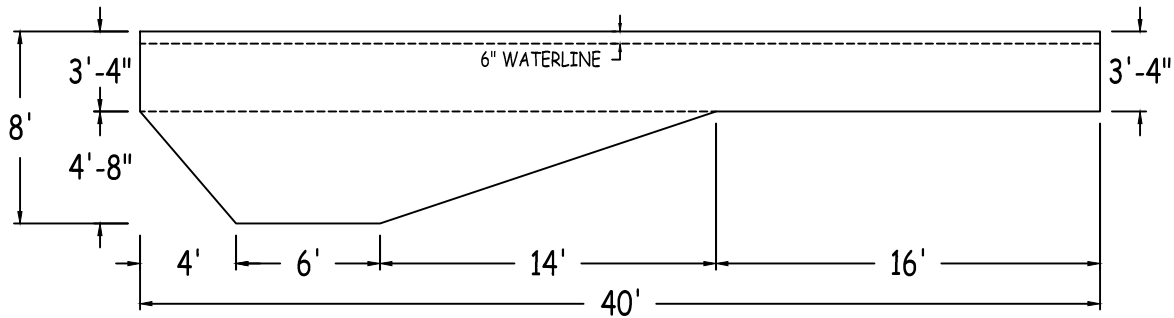
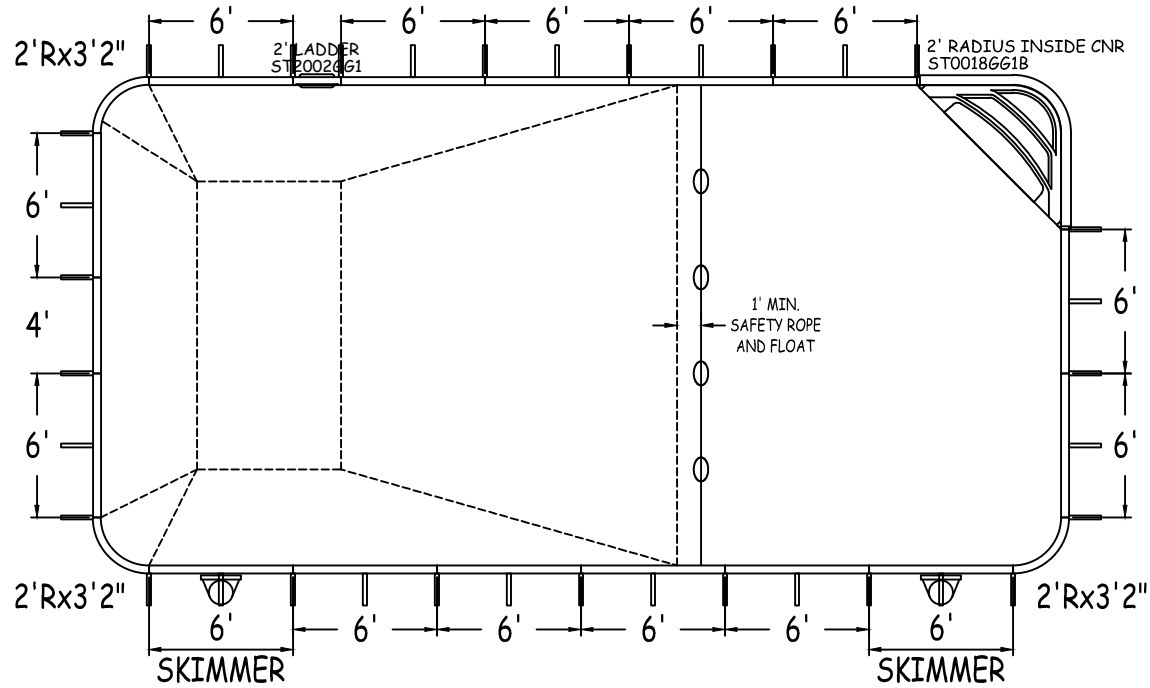
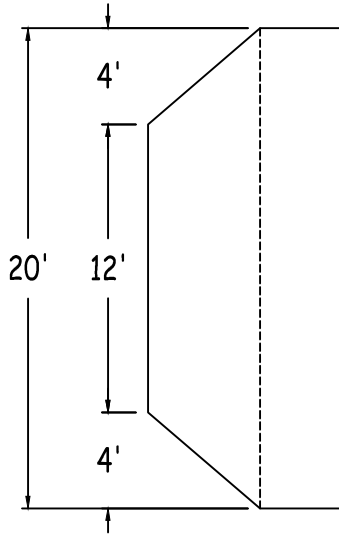


IN ACCORDANCE WITH ANSI/APSP/ICC-5 2011, THE INSTALLER IS RESPONSIBLE FOR PLACING ONE SKIMMER FOR EVERY 800 SQUARE FEET OF SURFACE AREA AND ONE RETURN FOR EVERY 300 SQUARE FEET OF SURFACE AREA.



**GRAPHLEX**  
POOL SYSTEMS

RECTANGLE 2FT RAD 20-0 x 40-0

42" FIXED POLYMER PANELS	PERIMETER:	117'-5"	VOLUME (US Gal):	26200
DWG#:	SURFACE (ft²):	797	VOLUME (Liters):	99200
2017-PPL-02833	LINER (ft²):	800	DATE:	2/3/2017
KIT#:	COVER (ft²):	924	DSR:	160
CUSTOMKIT			SCALE:	1/8" = 1'-0"



DIVING/SLIDING EQUIPMENT SHALL BE DESIGNED FOR SWIMMING POOLS AND SHALL BE INSTALLED IN ACCORDANCE WITH THE DIVING/SLIDING EQUIPMENT MANUFACTURER'S SPECIFICATIONS. PLEASE CONTACT THE DIVING/SLIDING EQUIPMENT MANUFACTURER FOR THEIR SPECIFICATIONS.

CUSTOMER: PENGUIN POOL

JOB NAME: 20X40 RECTANGLE MINUS BENCH

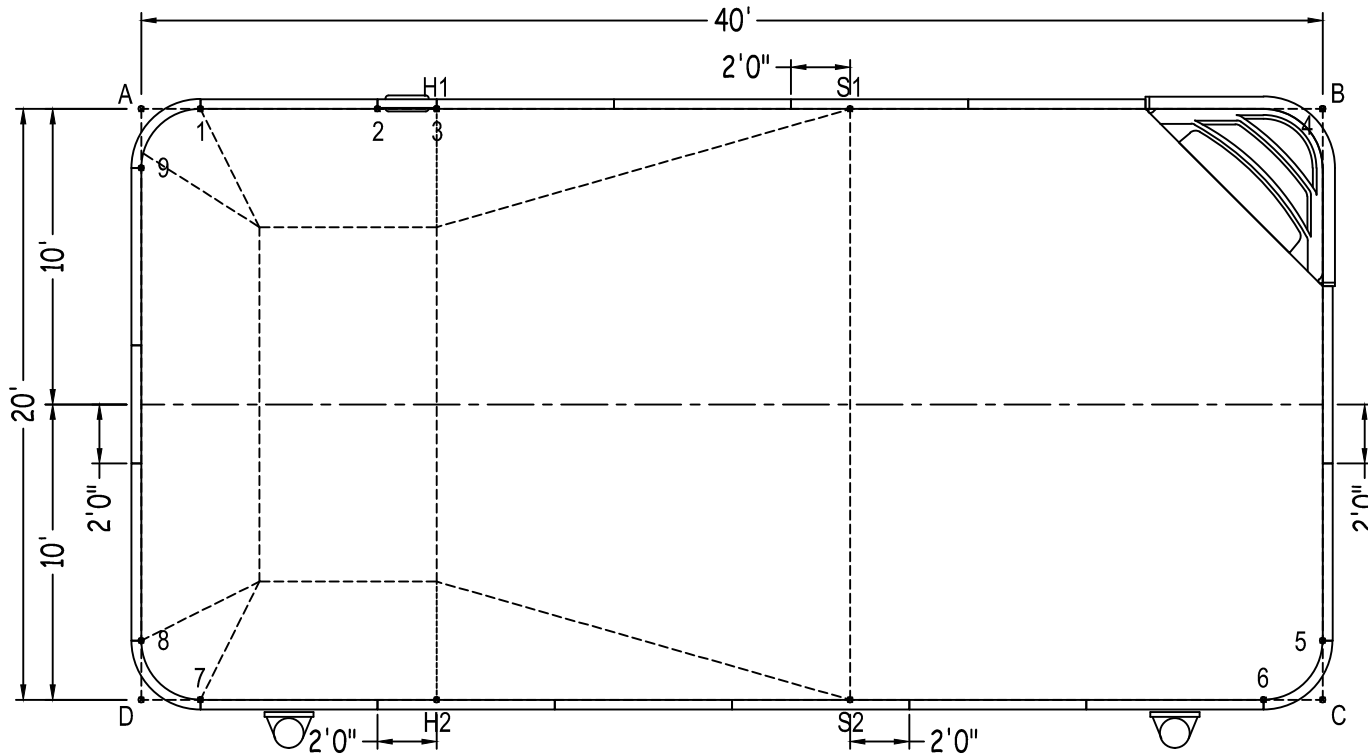
ALL ASPECTS OF THIS DRAWING COMPLIES WITH ANSI/APSP/ICC-5 2011 AND 2015 ISPSC

**RECTANGLE**

SHEET: 1 OF 2

Diagonals	1 to 6	41'-2 1/4"	3 to 4	30'-0"	5 to 6	2'-10"
S1toS2	1 to 7	20'-0"	3 to 5	34'-11 3/4"	5 to 7	38'- 3/4"
H1toH2	1 to 8	18'-1 1/4"	3 to 6	34'-5"	5 to 8	40'-0"
S1toH1	1 to 9	2'-10"	3 to 7	21'-6 1/2"	5 to 9	43'-1"
S2toH2	2 to 3	2'-0"	3 to 8	20'-7"	6 to 7	36'-0"
S1toH2	2 to 4	32'-0"	3 to 9	10'-2 1/2"	6 to 8	38'- 3/4"
H1toS2	2 to 5	36'-8 1/2"	4 to 5	18'-0"	6 to 9	42'- 1/2"
1 to 2	2 to 6	36'- 3/4"	4 to 6	20'-1 1/4"	7 to 8	2'-10"
1 to 3	2 to 7	20'-10 1/2"	4 to 7	42'-11 1/4"	7 to 9	18'-1 1/4"
1 to 4	2 to 8	19'-8 1/4"	4 to 8	43'-10 1/4"	8 to 9	16'-0"
1 to 5	2 to 9	8'-3"	4 to 9	40'- 1/2"		

		Base
Part number	Description	QTY
GPG-ST0720000X	6'	13
GPG-ST0720000*	6' SKIMMER	2
GPG-ST0480000X	4'	1
GPG-CN0380240X	2'Rx3'2"	3
Brace	Brace	36
SOK-999-S	CUSTOM STEEL BENCH	1
	FASTENER PKG (25)	9
PPC-HW38162-15	HDR PKG N/B/W (15) 3/8"X16X2"ZP G2	1
PPC-HW101	HDR PKG N/B (35) 3/8"x16x1" ZP G2	2
IPC-STKPK25	REBAR STAKE 18" 25PC	3
ST2002	THICKSHEET LADDER 2'	1
ST0018B	THKSHT STEP CN 2' RAD 8'-6"	1



	A	B	C	D
1	2'-0"	38'-0"	42'-11 1/4"	20'-1 1/4"
2	8'-0"	32'-0"	37'-8 3/4"	21'-6 1/2"
3	10'-0"	30'-0"	36'- 3/4"	22'-4 1/4"
4	40'-0"	0"	20'-0"	44'-8 3/4"
5	43'-10 1/4"	18'-0"	2'-0"	40'- 1/2"
6	42'-11 1/4"	20'-1 1/4"	2'-0"	38'-0"
7	20'-1 1/4"	42'-11 1/4"	38'-0"	2'-0"
8	18'-0"	43'-10 1/4"	40'- 1/2"	2'-0"
9	2'-0"	40'- 1/2"	43'-10 1/4"	18'-0"
S2	31'-3"	25'-7 1/4"	16'-0"	24'-0"
S1	24'-0"	16'-0"	25'-7 1/4"	31'-3"
H2	22'-4 1/4"	36'- 3/4"	30'-0"	10'-0"
H1	10'-0"	30'-0"	36'- 3/4"	22'-4 1/4"
A	-	40'-0"	44'-8 3/4"	20'-0"

RECTANGLE 2FT RAD 20-0 X 40-0

DWG #: 2017-PPL-02833

DATE: 2/3/2017

SHEET: 2 OF 2