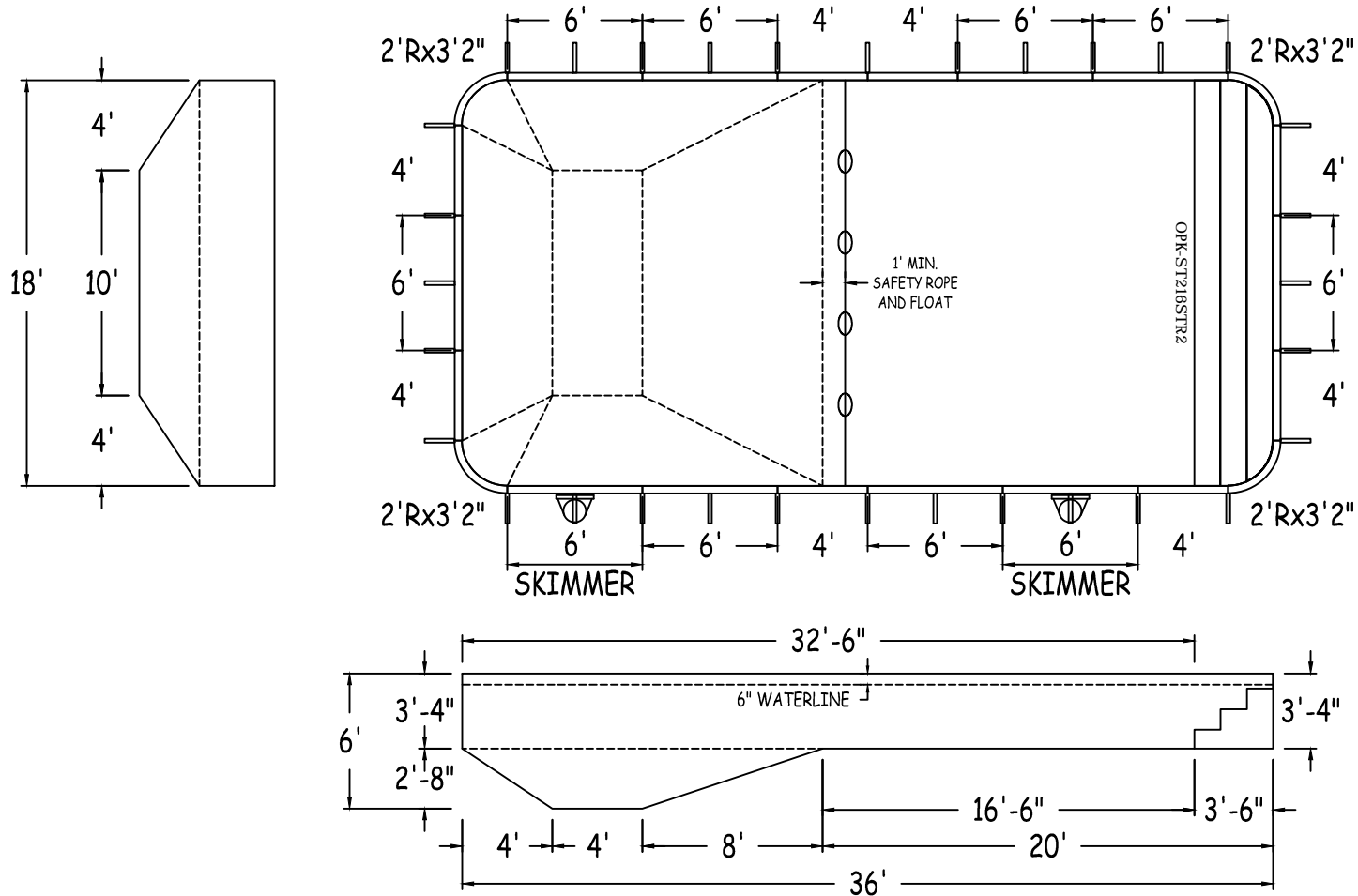
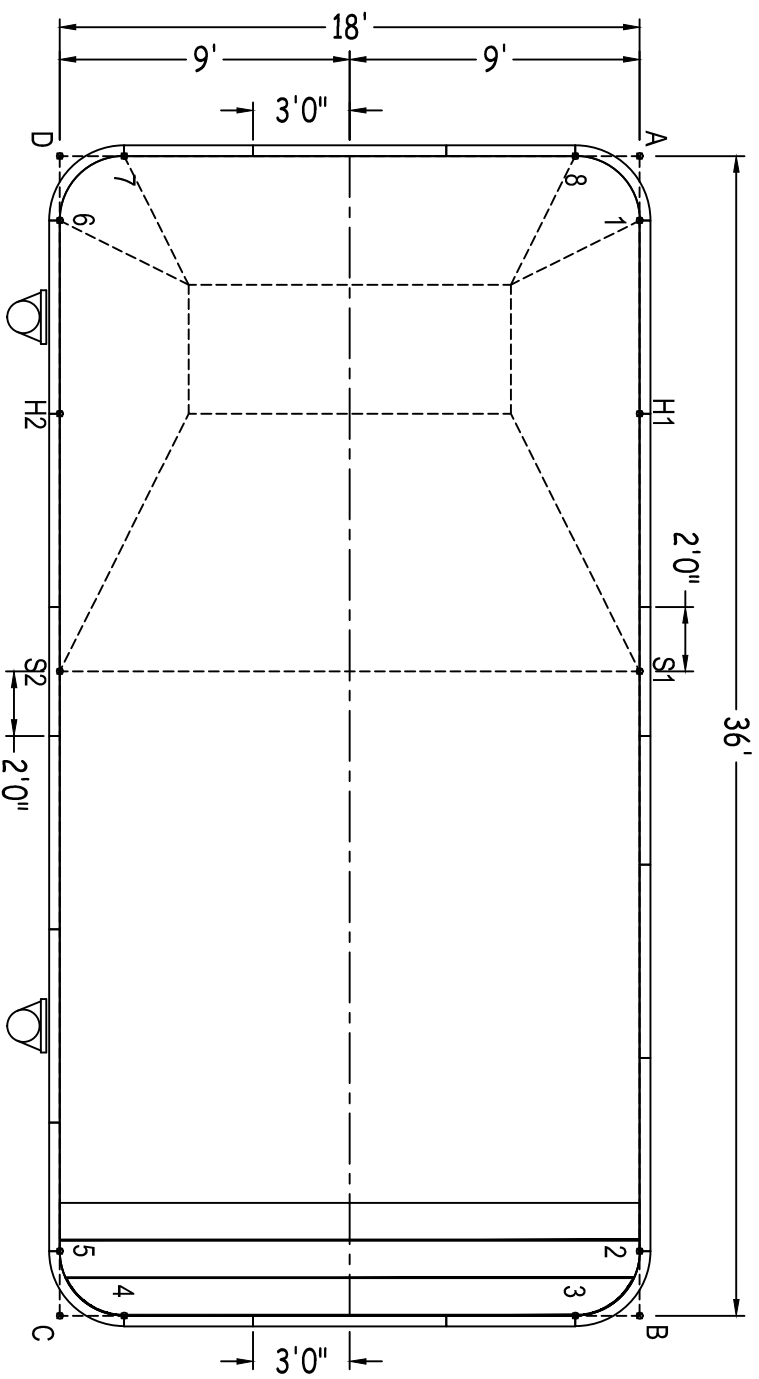


IN ACCORDANCE WITH ANSI/APSP/ICC-5 2011, THE INSTALLER IS RESPONSIBLE FOR PLACING ONE SKIMMER FOR EVERY 800 SQUARE FEET OF SURFACE AREA AND ONE RETURN FOR EVERY 300 SQUARE FEET OF SURFACE AREA.



GRAPHX POOL SYSTEMS	RECTANGLE 2FT RAD 18-0 x 36-0			 Foot First	NON-DIVING POOL USE OF DIVING EQUIPMENT IS PROHIBITED	CUSTOMER: PENGUIN POOL JOB NAME: LONGRIE LAYOUT
	42" FIXED POLYMER PANELS	PERIMETER: 104'-7"	VOLUME (US Gal): 17900			
DWG#: 2017-PPL-02547	SURFACE (ft²): 645	VOLUME (Liters): 67700	DATE: 2/1/2017	DSR: 136		
KIT#: CUSTOMKIT	COVER (ft²): 760	SCALE: 1/8" = 1'-0"		ALL ASPECTS OF THIS DRAWING COMPLIES WITH ANSI/APSP/ICC-5 2011 AND 2015 ISPSC		
RECTANGLE						SHEET: 1 OF 2

Diagonals	1 to 6	18'-0"	3 to 6	37'-7"	6 to 8	16-1 1/2"
S1toS2	1 to 7	16'-1 1/2"	3 to 7	38'-7 1/2"	7 to 8	14'-0"
H1toH2	1 to 8	2'-10"	3 to 8	36'-0"		
S1toH1	2 to 3	2'-10"	4 to 5	2'-10"		
S2toH2	2 to 4	16'-1 1/2"	4 to 6	34'-3/4"		
S1toH2	2 to 5	18'-0"	4 to 7	36'-0"		
H1toS2	2 to 6	36'-8 1/2"	4 to 8	38'-7 1/2"		
1 to 2	2 to 7	37'-7"	5 to 6	32'-0"		
1 to 3	2 to 8	34'-3/4"	5 to 7	34'-3/4"		
1 to 4	3 to 4	14'-0"	5 to 8	37'-7"		
1 to 5	3 to 5	16'-1 1/2"	6 to 7	2'-10"		



Part number	Description	QTY
GP-G-ST0720000X	6"	8
GP-G-ST0720000*	6" SKIMMER	2
GP-G-ST0480000X	4"	8
GP-G-CN0380240X	2RX3/2"	4
Brace	Brace	32
OPK-ST216STR2	18" OPK STEP	1
	FASTENER PKG (25)	8
PPC-HW101	HDR PKG N/B (35) 3/8"x16x1" ZP G2	1
IPC-STKPK25	REBAR STAKE 18" 25PC	3

	A	B	C	D
1	2'-0"	34'-0"	38'-5 3/4"	18'-1 1/4"
2	34'-0"	2'-0"	18'-1 1/4"	38'-5 3/4"
3	36'-3/4"	2'-0"	16'-0"	39'-4 3/4"
4	39'-4 3/4"	16'-0"	2'-0"	36'-3/4"
5	38'-5 3/4"	18'-1 1/4"	2'-0"	34'-0"
6	18'-1 1/4"	38'-5 3/4"	34'-0"	2'-0"
7	16'-0"	39'-4 3/4"	36'-3/4"	2'-0"
8	2'-0"	36'-3/4"	39'-4 3/4"	16'-0"
S2	24'-1"	26'-11"	20'-0"	16'-0"
S1	16'-0"	20'-0"	26'-11"	24'-1"
H2	19'-8 1/4"	33'-3 1/2"	28'-0"	8'-0"
H1	8'-0"	28'-0"	33'-3 1/2"	19'-8 1/4"
A	-	36'-0"	40'-3"	18'-0"