

DWG #:  
**KA0VS42-1836-8'H\_07**  
 VOLUME (US Gal): 20 000  
 VOLUME (Litres): 75 800

|                       |           |
|-----------------------|-----------|
| Steel                 |           |
| <b>Oval 18' x 36'</b> |           |
| AREA (SqFt):          | 578       |
| PERIMETER:            | 92'-7"    |
| LINER AREA (SqFt):    | 648       |
| DATE:                 | 1/01/2007 |
| SAFETY COVER (SqFt):  | 760       |
| SCALE:                | 1/8" = 1' |



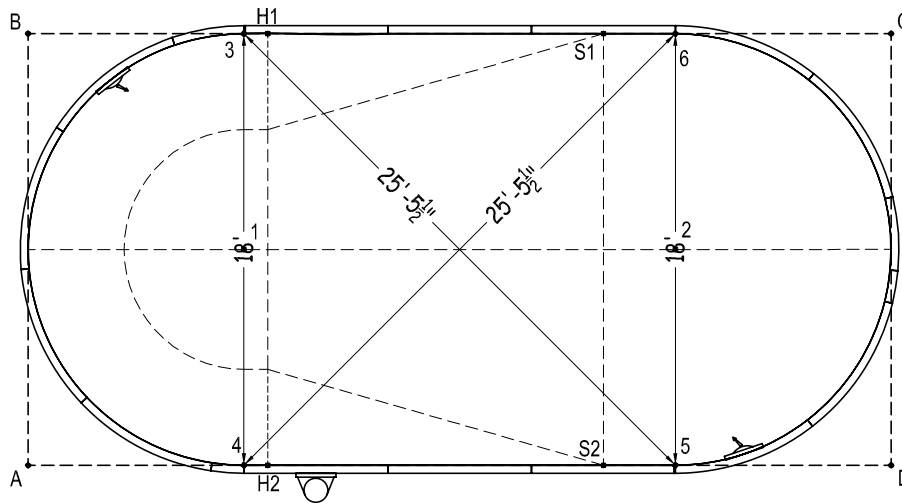
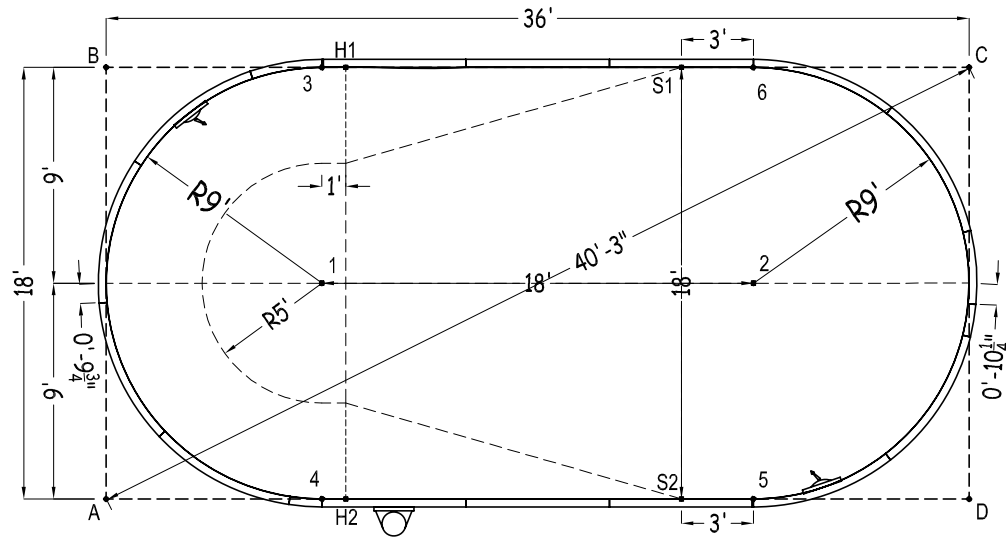
DIVING/SLIDING EQUIPMENT SHALL BE DESIGNED FOR SWIMMING POOLS AND SHALL BE INSTALLED IN ACCORDANCE WITH THE DIVING/SLIDING EQUIPMENT MANUFACTURER'S SPECIFICATIONS. PLEASE CONTACT THE DIVING/SLIDING EQUIPMENT MANUFACTURER FOR THEIR SPECIFICATIONS.

MEETS DEPTH AND SHAPE MINIMUM STANDARD ANSI/NSPI5-2003

**Oval**

# 2007

No Step  
6' Step  
8' Step



| Part number | Description            | Qty | Qty | Qty |
|-------------|------------------------|-----|-----|-----|
| 02-SP06     | 6' Plain               | 5   | 5   | 5   |
| 02-SS06     | 6' Skimmer             | 1   | 1   | 1   |
| 02-CP06A-09 | 9R-6'                  | 6   | 4   | 4   |
| 02-CI06A-09 | 9R-6' Inlet            | 2   | 2   | 2   |
| 02-CP04A-09 | 9R-4'                  | -   | 2   | -   |
| 02-CP03A-09 | 9R-3'                  | 2   | 1   | 3   |
| 02-CP011-09 | 9R-1'4"                | 2   | 1   | 1   |
| 02-CP01E-09 | 9R-1'2"                | -   | 2   | 2   |
|             | 6' Curve Step          | -   | 1   | -   |
|             | 8' Kafko Curve Step    | -   | -   | 1   |
| A-Frame     | A-Frame Multiplier     | 18  | 19  | 19  |
| 15-0632-9   | Optional Deck Supports | 46  | 45  | 43  |

|    | A          | B          | C          | D          |
|----|------------|------------|------------|------------|
| 1  | 12'-8 3/4" | 12'-8 3/4" | 28'-5 1/2" | 28'-5 1/2" |
| 2  | 28'-5 1/2" | 28'-5 1/2" | 12'-8 3/4" | 12'-8 3/4" |
| 3  | 20'-1 1/2" | 9'         | 27'        | 32'-5 1/2" |
| 4  | 9'         | 20'-1 1/2" | 32'-5 1/2" | 27'        |
| 5  | 27'        | 32'-5 1/2" | 20'-1 1/2" | 9'         |
| 6  | 32'-5 1/2" | 27'        | 9'         | 20'-1 1/2" |
| H1 | 20'-7"     | 10'        | 26'        | 31'-7 1/2" |
| H2 | 10'        | 20'-7"     | 31'-7 1/2" | 26'        |
| S1 | 30'        | 24'        | 12'        | 21'-7 1/2" |
| S2 | 24'        | 30'        | 21'-7 1/2" | 12'        |
| A  | -          | 18'        | 40'-3"     | 36'        |

Oval 18' x 36'

DWG #: KA0VS42-1836-8'H\_07

DATE: 1/01/2007

SHEET: 2 OF 2