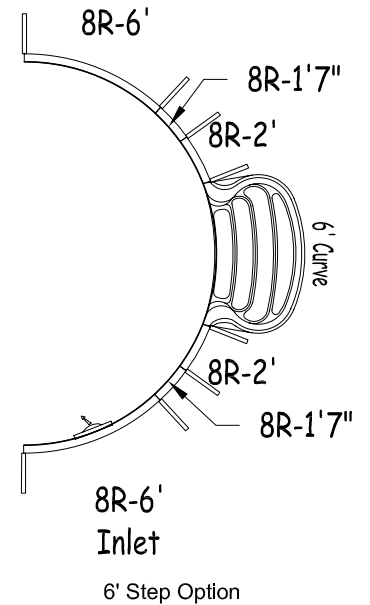
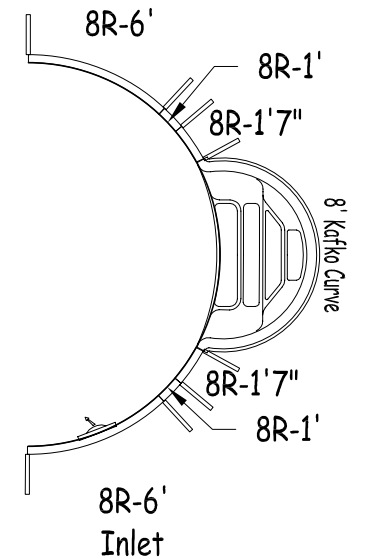


Steps Position



6' Step Option



8' Step Option

SHEET: 1 OF 2



DWG #:
KAOVS42-1632-8'H_07

VOLUME (US Gal): 16 600

VOLUME (Litres): 62 900

Steel
Oval 16' x 32'

AREA (SqFt): 457

LINER AREA (SqFt): 512

SAFETY COVER (SqFt): 612

PERIMETER: 82'-3"

DATE: 1/01/2007

SCALE: 1/8" = 1'



Feet First

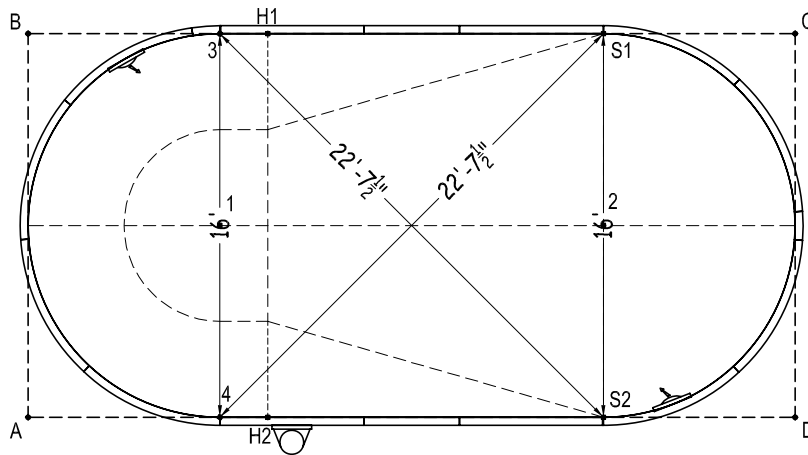
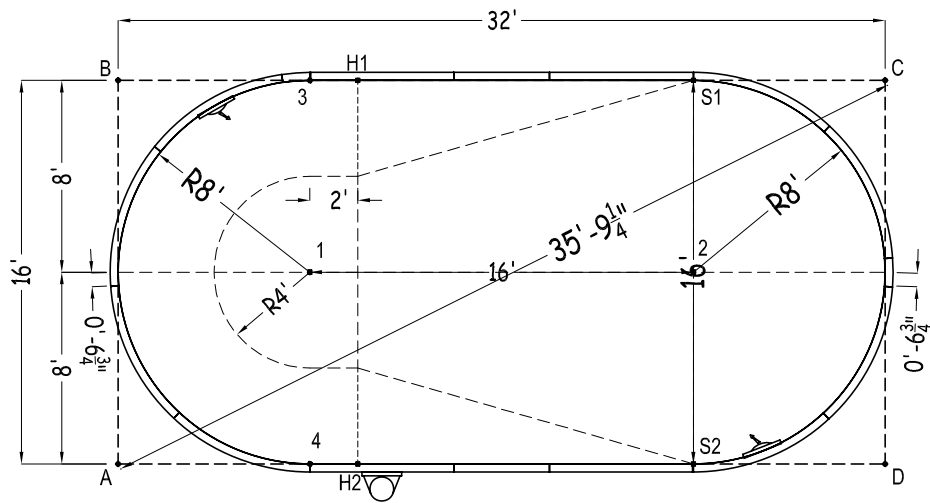
MEETS DEPTH AND SHAPE MINIMUM STANDARD ANSI/NSPI5-2003

DIVING/SLIDING EQUIPMENT SHALL BE DESIGNED FOR SWIMMING POOLS AND SHALL BE INSTALLED IN ACCORDANCE WITH THE DIVING/SLIDING EQUIPMENT MANUFACTURER'S SPECIFICATIONS. PLEASE CONTACT THE DIVING/SLIDING EQUIPMENT MANUFACTURER FOR THEIR SPECIFICATIONS.

Oval

2007

No Step
6' Step
8' Step



Part number	Description	Qty	Qty	Qty
02-SP06	6' Plain	3	3	3
02-SS06	6' Skimmer	1	1	1
02-SP04	4' Plain	2	2	2
02-CP06A-08	8R-6'	6	4	4
02-CI06A-08	8R-6' Inlet	2	2	2
02-CP02A-08	8R-2'	-	2	-
02-CP01P-08	8R-17"	-	2	2
02-CP01E-08	8R-12"	2	1	1
02-CP01A-08	8R-1'	-	-	2
	6' Curve Step	-	1	-
	8' Kafko Curve Step	-	-	1
A-Frame	A-Frame Multiplier	16	18	18
15-0632-9	Optional Deck Supports	42	40	40

	A	B	C	D
1	11'-3 3/4"	11'-3 3/4"	25'-3 1/2"	25'-3 1/2"
2	25'-3 1/2"	25'-3 1/2"	11'-3 3/4"	11'-3 3/4"
3	17'-10 3/4"	8'	24'	28'-10 1/4"
4	8'	17'-10 3/4"	28'-10 1/4"	24'
H1	18'-10 1/2"	10'	22'	27'-2 1/2"
H2	10'	18'-10 1/2"	27'-2 1/2"	22'
S1	28'-10 1/4"	24'	8'	17'-10 3/4"
S2	24'	28'-10 1/4"	17'-10 3/4"	8'
A	-	16'	35'-9 1/4"	32'