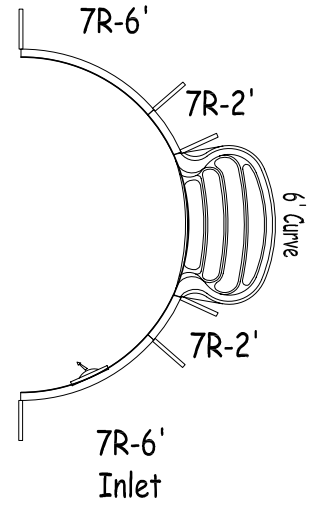
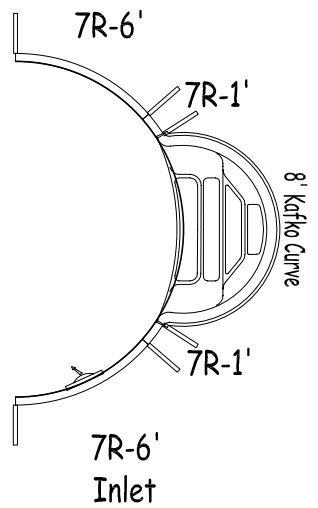


Steps Position



6' Step Option



8' Step Option



Steel
Oval 14' x 28'

DWG #:
KAOVS42-1428-6'H_07
VOLUME (US Gal): 10 500
VOLUME (Litres): 39 700

AREA (SqFt):	350	PERIMETER:	72'
LINER AREA (SqFt):	392	DATE:	1/01/2007
SAFETY COVER (SqFt):	480	SCALE:	1/8" = 1'



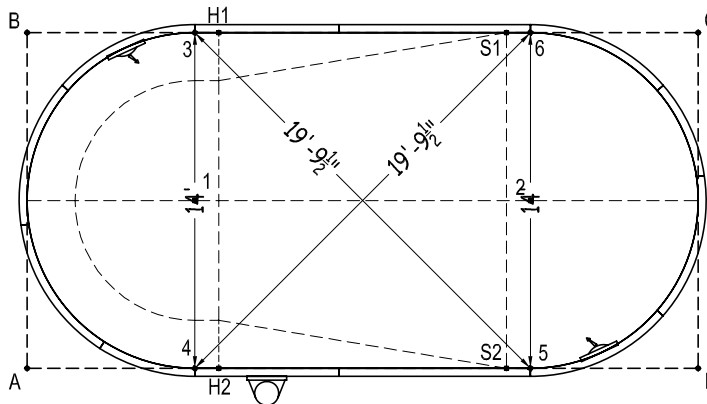
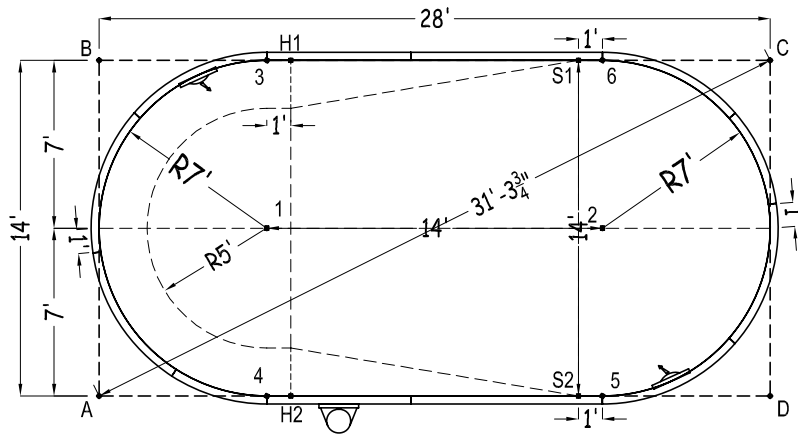
NON-DIVING POOL
USE OF DIVING EQUIPMENT IS PROHIBITED

MEETS DEPTH AND SHAPE MINIMUM STANDARD ANSI/NSPI5-2003

Oval

2007

No Step
6' Step
8' Step



Part number	Description	Qty	Qty	Qty
02-SP08	8' Plain	2	2	2
02-SP06	6' Plain	1	1	1
02-SS06	6' Skimmer	1	1	1
02-CP06A-07	7R-6'	4	3	3
02-CI06A-07	7R-6' Inlet	2	2	2
02-CP04A-07	7R-4'	2	1	1
02-CP02A-07	7R-2'	-	2	-
02-CP01A-07	7R-1'	-	-	-
	6' Curve Step	-	1	-
	8' Kafko Curve Step	-	-	1
A-Frame	A-Frame Multiplier	12	13	13
15-0632-9	Optional Deck Supports	36	34	34

	A	B	C	D
1	9'-10 3/4"	9'-10 3/4"	22'-1 3/4"	22'-1 3/4"
2	22'-1 3/4"	22'-1 3/4"	9'-10 3/4"	9'-10 3/4"
3	15'-7 3/4"	7'	21'	25'-2 3/4"
4	7'	15'-7 3/4"	25'-2 3/4"	21'
5	21'	25'-2 3/4"	15'-7 3/4"	7'
6	25'-2 3/4"	21'	7'	15'-7 3/4"
H1	16'-1 1/2"	8'	20'	24'-5"
H2	8'	16'-1 1/2"	24'-5"	20'
S1	24'-5"	20'	8'	16'-1 1/2"
S2	20'	24'-5"	16'-1 1/2"	8'
A	-	14'	31'-3 3/4"	28'